

## Notes:

1. Terminal Material: Aluminum
2. Surface Treatment: Tin-Plated
3. Wire Size: 6 AWG (16mm<sup>2</sup>)
4. Voltage Rating: 600V - 35KV
5. Color: Tan
6. Temperature Rating: 90°C

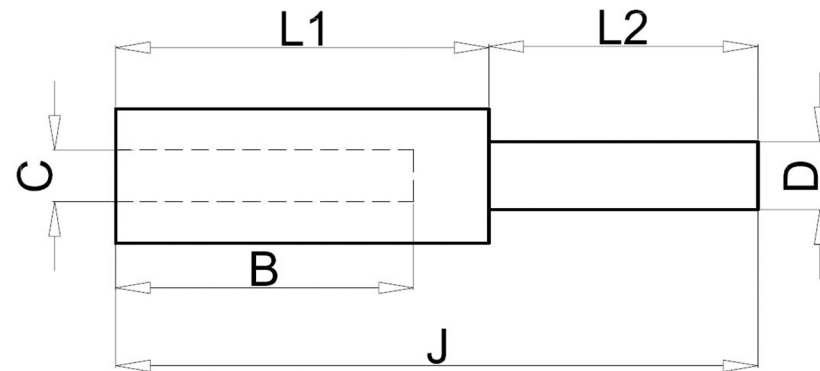
### Standard (Metric)

L2: 0.68" (17.3mm)  
 D: 0.24" (6.1mm)  
 L1: 1.17" (29.7mm)  
 J: 1.85" (47mm)  
 C: 0.19" (4.8mm)  
 B: 1.06" (27mm)

### Tolerances

(Unless Otherwise Specified)

L2: ± 0.2"  
 D: ± 0.05"  
 L1: ± 0.2"  
 J: ± 0.2"  
 C: ± 0.6"  
 B: ± 0.2"



<b>CATEGORY</b>	Aluminum Compression Pin Adapters	<b>SCALE</b>	4/1
<b>PART #</b>	ZPTS6	<b>SHEET</b>	1-3
<b>MATERIAL</b>	Aluminum	<b>PAGE</b>	10F2

