

Notes:

1. Terminal Material: Aluminum
2. Surface Treatment: Tin-Plated
3. Wire Size: 300 MCM (150mm²)
4. Voltage Rating: 600V - 35KV
5. Color: Brown
6. Temperature Rating: 90°C

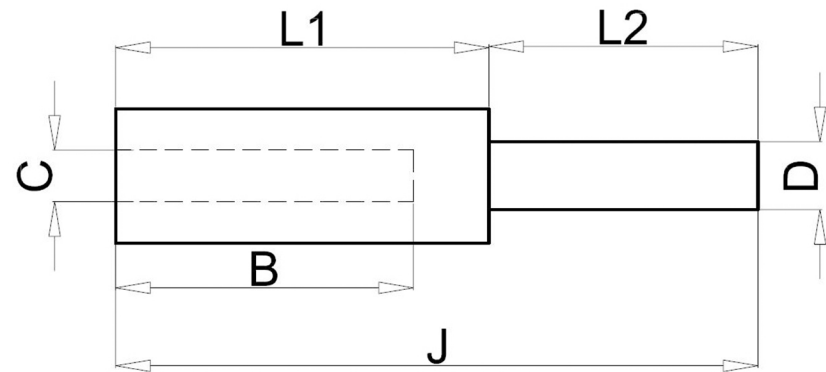
Standard (Metric)

L2: 1.34" (34mm)
 D: 0.53" (13.5mm)
 L1: 1.41" (35.8mm)
 J: 2.75" (69.9mm)
 C: 0.65" (16.6mm)
 B: 1.22" (31mm)

Tolerances

(Unless Otherwise Specified)

L2: ± 0.2"
 D: ± 0.05"
 L1: ± 0.2"
 J: ± 0.2"
 C: ± 0.6"
 B: ± 0.2"



CATEGORY	Aluminum Compression Pin Adapters	SCALE	4/1
PART #	ZPTS300	SHEET	1-3
MATERIAL	Aluminum	PAGE	10F2

