

## Notes:

1. Terminal Material: Aluminum
2. Surface Treatment: Tin-Plated
3. Wire Size: 4/0 AWG (120mm<sup>2</sup>)
4. Voltage Rating: 600V - 35KV
5. Color: White
6. Temperature Rating: 90°C

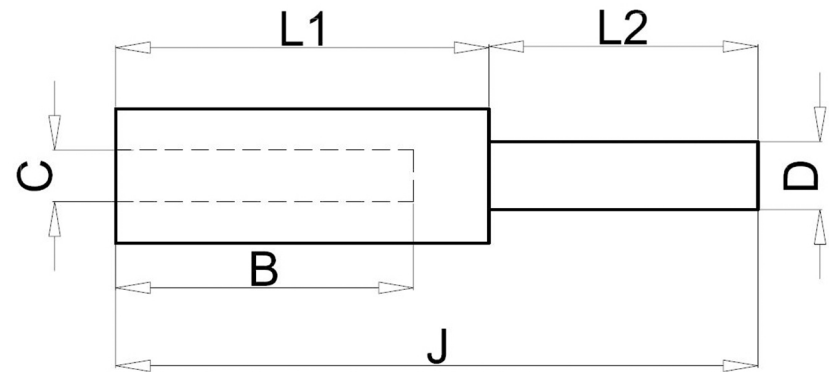
### Standard (Metric)

L2: 1.28" (32.5mm)  
 D: 0.42" (10.7mm)  
 L1: 1.52" (38.6mm)  
 J: 2.8" (71.1mm)  
 C: 0.55" (13.9mm)  
 B: 1.22" (30.9mm)

### Tolerances

(Unless Otherwise Specified)

L2: ± 0.2"  
 D: ± 0.05"  
 L1: ± 0.2"  
 J: ± 0.2"  
 C: ± 0.6"  
 B: ± 0.2"



|                 |                                   |              |      |
|-----------------|-----------------------------------|--------------|------|
| <b>CATEGORY</b> | Aluminum Compression Pin Adapters | <b>SCALE</b> | 4/1  |
| <b>PART #</b>   | ZPT04/0                           | <b>SHEET</b> | 1-3  |
| <b>MATERIAL</b> | Aluminum                          | <b>PAGE</b>  | 10F2 |

