

Notes:

1. Terminal Material: Aluminum
2. Surface Treatment: Tin-Plated
3. Wire Size: 3/0 AWG (95mm²)
4. Voltage Rating: 600V - 35KV
5. Color: White
6. Temperature Rating: 90°C

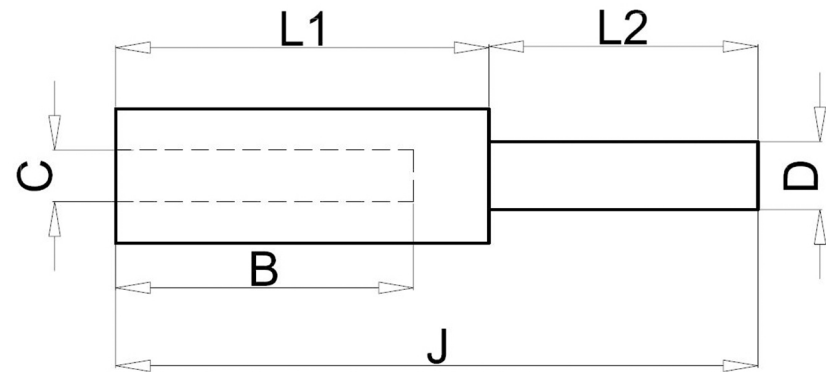
Standard (Metric)

L2: 1.25" (31.8mm)
 D: 0.37" (9.4mm)
 L1: 1.55" (39.4mm)
 J: 2.8" (71.1mm)
 C: 0.5" (12.7mm)
 B: 1.26" (32mm)

Tolerances

(Unless Otherwise Specified)

L2: ± 0.2"
 D: ± 0.05"
 L1: ± 0.2"
 J: ± 0.2"
 C: ± 0.6"
 B: ± 0.2"



CATEGORY	Aluminum Compression Pin Adapters	SCALE	4/1
PART #	ZPT03/0	SHEET	1-3
MATERIAL	Aluminum	PAGE	10F2

