

## Notes:

- Maximum Electrical Current: 

AWG	3/0		
AMP	310		
- Maximum Electrical Rating: 75° 600 Volts Max.
- Terminal Material: Copper
- Wire Range: 3/0 AWG (95mm<sup>2</sup>)
- Terminal Surface Treatment: Tin Plated
- Terminal Thickness: 2.25mm
- Stud Size: 3/8 Stud

### Standard (Metric)

1.02" (26mm)  
 0.41" (10.5mm)  
 0.53" (13.5mm)  
 0.71" (18mm)  
 1.89" (48mm)  
 0.98" (25mm)  
 0.47" (12mm)  
 0.47" (12mm)  
 0.17" (4.2mm)

### Tolerances

(Unless Otherwise Specified)

0 > 6mm ± 0.20  
 6 > 18mm ± 0.30  
 18 > 30mm ± 0.40  
 30 > 75mm ± 0.50

**CATEGORY**

Standard Compression Lugs

**SCALE**

1/1

**PART #**

TLKH95-10

**SHEET**

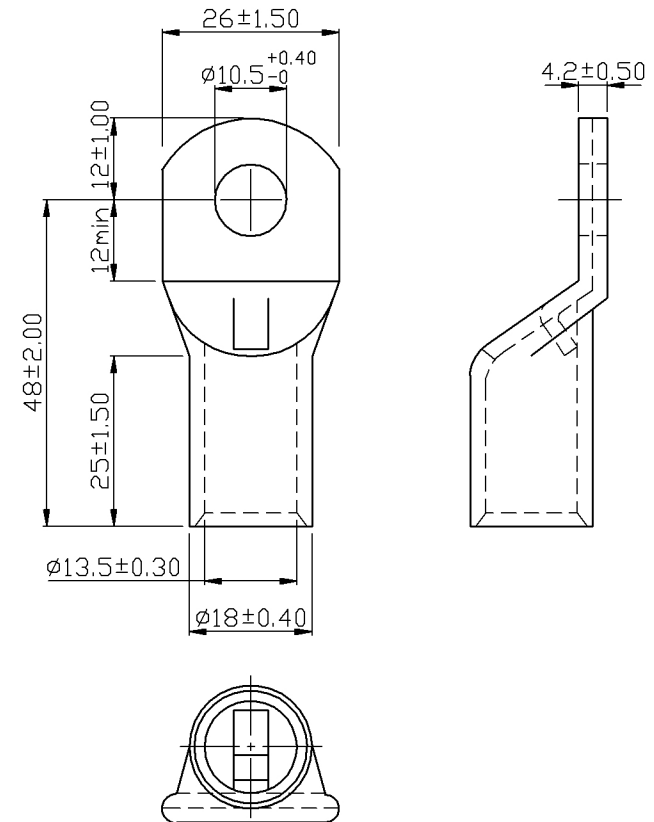
1-1

**MATERIAL**

Tin Plated Copper

**PAGE**

10F2



**MIROMAR**