

Notes:

1. Maximum Electric Current:

AWG	16	14	
AMP	18	30	
2. Maximum Electric Rating: 105°C 600 Volts Max
3. Insulation Material: Vinyl
4. Insulation Color: Blue
5. Terminal Material: Copper
6. Wire Range: 16-14 AWG (1.5-2.5mm²)
7. Terminal Surface Treatment: Tin Plated
8. Terminal Thickness: 0.80mm

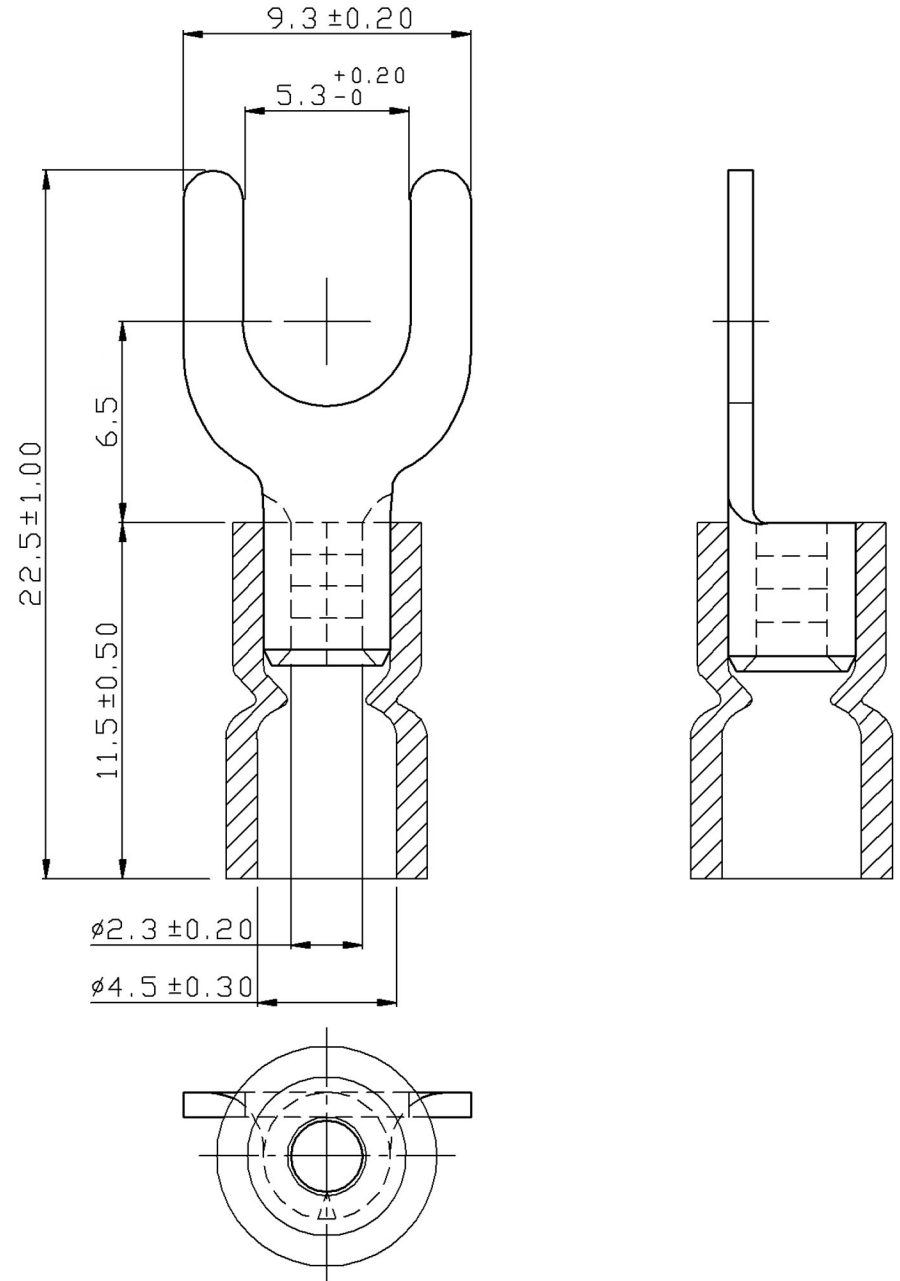
Standard (Metric)

- 0.89" (22.5mm)
- 0.26" (6.5mm)
- 0.45" (11.5mm)
- 0.37" (9.3mm)
- 0.21" (5.3mm)
- 0.09" (2.3mm)
- 0.18" (4.5mm)

Tolerances

(Unless Otherwise Specified)

CATEGORY	Vinyl Insulated Fork Terminals	SCALE	4/1
PART #	SVEL2-5	SHEET	1-4
MATERIAL	Tin-Plated Copper	PAGE	10F2



MIROMAR