

Notes:

- Maximum Electric Current:

AWG	22	20	18	16
AMP	9	12	17	18
- Maximum Electric Rating: 105°C 600 Volts Max
- Insulation Material: Nylon
- Insulation Color: Red
- Terminal Material: Copper
- Wire Range: 22-16 AWG (0.5-1.5mm²)
- Terminal Surface Treatment: Tin Plated
- Terminal Thickness: 0.75mm

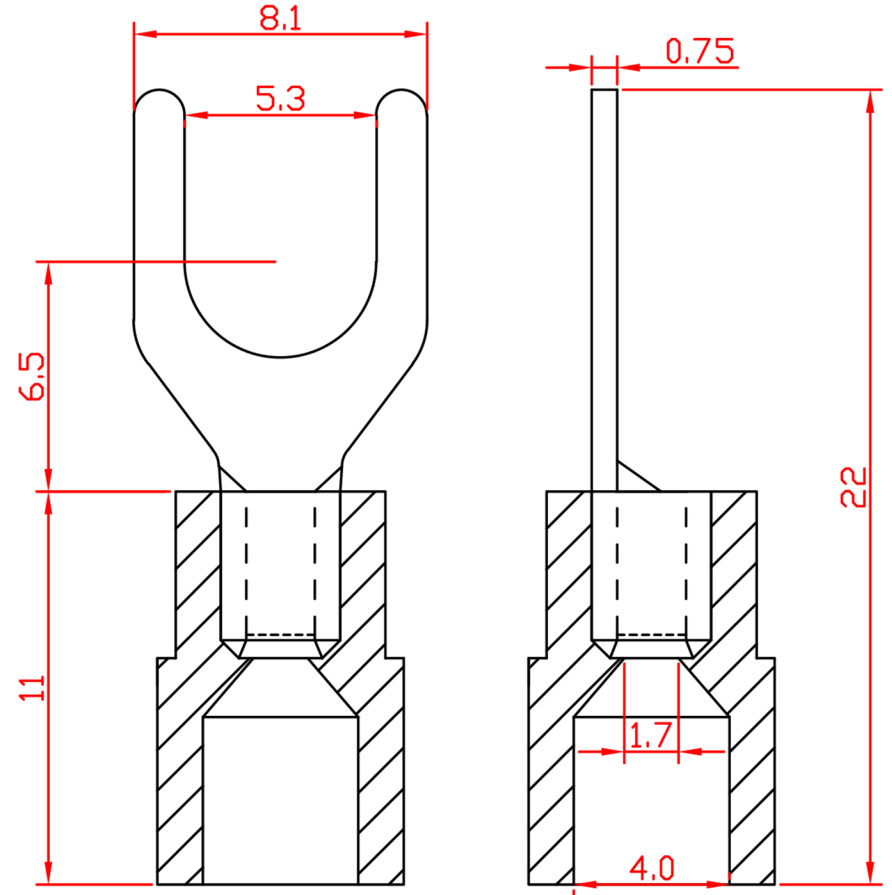
Standard (Metric)

0.87" (22mm)
 0.43" (11mm)
 0.26" (6.5mm)
 0.32" (8.1mm)
 0.21" (5.3mm)
 0.07" (1.7mm)
 0.16" (4mm)

Tolerances

(Unless Otherwise Specified)

CATEGORY	Nylon Insulated Fork Terminals	SCALE	4/1
PART #	SNYBS1-5	SHEET	1-0
MATERIAL	Tin-Plated Copper	PAGE	10F1



MIROMAR