

**Notes:**

- Maximum Electric Current: 

AWG	22	20	18	16
AMP	9	12	17	18
- Maximum Electric Rating: 105°C 600 Volts Max
- Insulation Material: Nylon
- Insulation Color: Red
- Terminal Material: Copper
- Wire Range: 22-16 AWG (0.5-1.5mm<sup>2</sup>)
- Terminal Surface Treatment: Tin Plated
- Terminal Thickness: 0.75mm

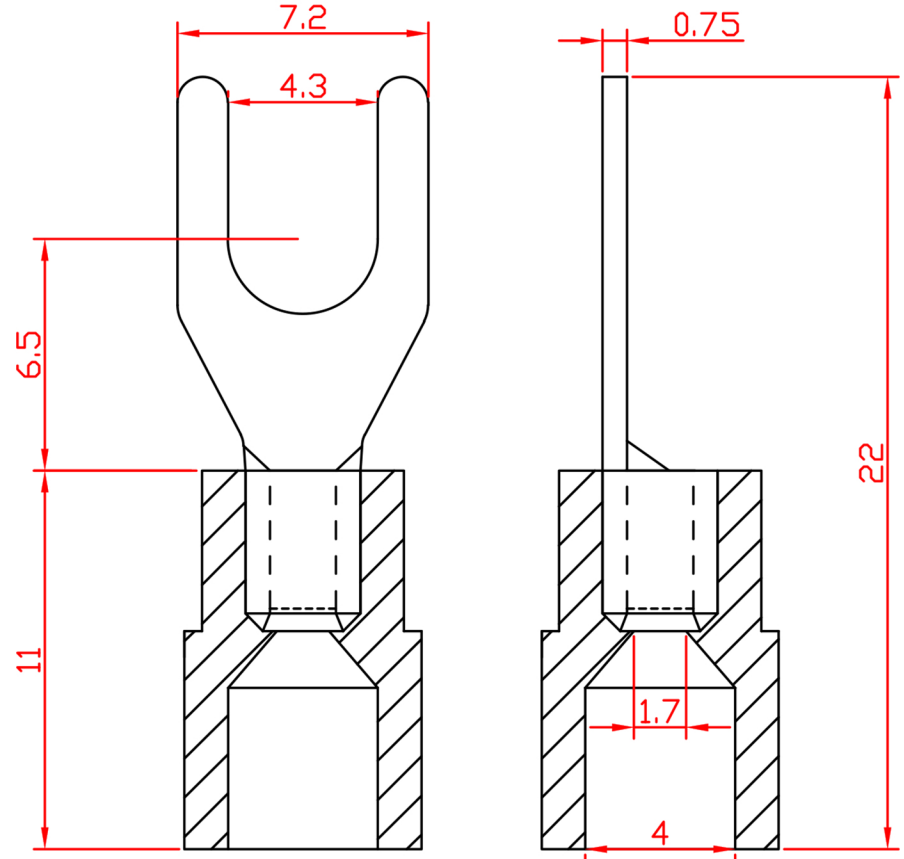
**Standard (Metric)**

- 0.87" (22mm)
- 0.43" (11mm)
- 0.26" (6.5mm)
- 0.28" (7.2mm)
- 0.17" (4.3mm)
- 0.07" (1.7mm)
- 0.16" (4mm)

**Tolerances**

(Unless Otherwise Specified)

<b>CATEGORY</b>	Nylon Insulated Fork Terminals	<b>SCALE</b>	4/1
<b>PART #</b>	SNYBM1-4	<b>SHEET</b>	1-0
<b>MATERIAL</b>	Tin-Plated Copper	<b>PAGE</b>	10F1



**MIROMAR**