

Notes:

1. Maximum Electric Current:

AWG	8		
AMP	65		
2. Maximum Electric Rating: 105°C 600 Volts Max
3. Insulation Material: Nylon
4. Insulation Color: Red
5. Terminal Material: Copper
6. Wire Range: 8 AWG (10mm²)
7. Terminal Surface Treatment: Tin Plated
8. Terminal Thickness: 1.2mm

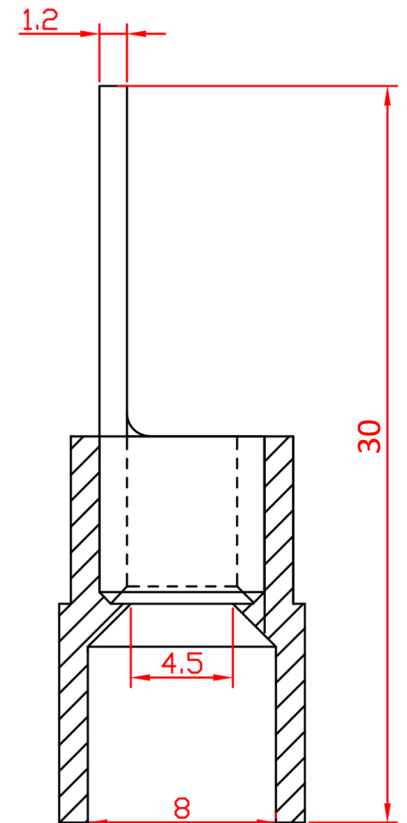
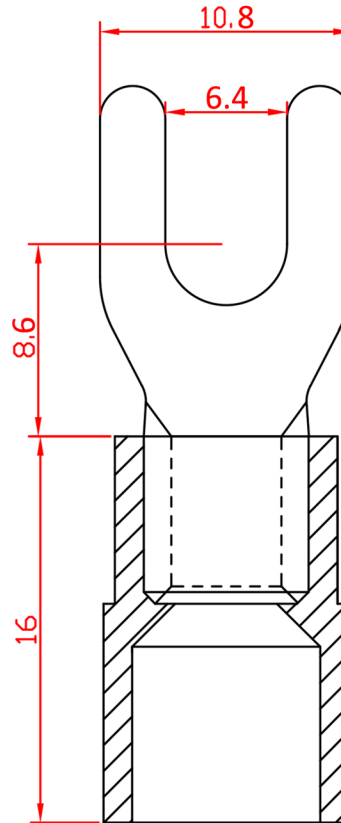
Standard (Metric)

- 1.18" (30mm)
- 0.63" (16mm)
- 0.34" (8.6mm)
- 0.43" (10.8mm)
- 0.25" (6.4mm)
- 0.18" (4.5mm)
- 0.31" (8mm)

Tolerances

(Unless Otherwise Specified)

CATEGORY	Nylon Insulated Fork Terminals	SCALE	3/1
PART #	SNYB8-6	SHEET	1-0
MATERIAL	Tin-Plated Copper	PAGE	10F1



MIROMAR