

Notes:

- Maximum Electric Current:

AWG	12	10	
AMP	35	50	
- Maximum Electric Rating: 105°C 600 Volts Max
- Insulation Material: Nylon
- Insulation Color: Yellow
- Terminal Material: Copper
- Wire Range: 12-10 AWG (4-6mm²)
- Terminal Surface Treatment: Tin Plated
- Terminal Thickness: 1.00mm

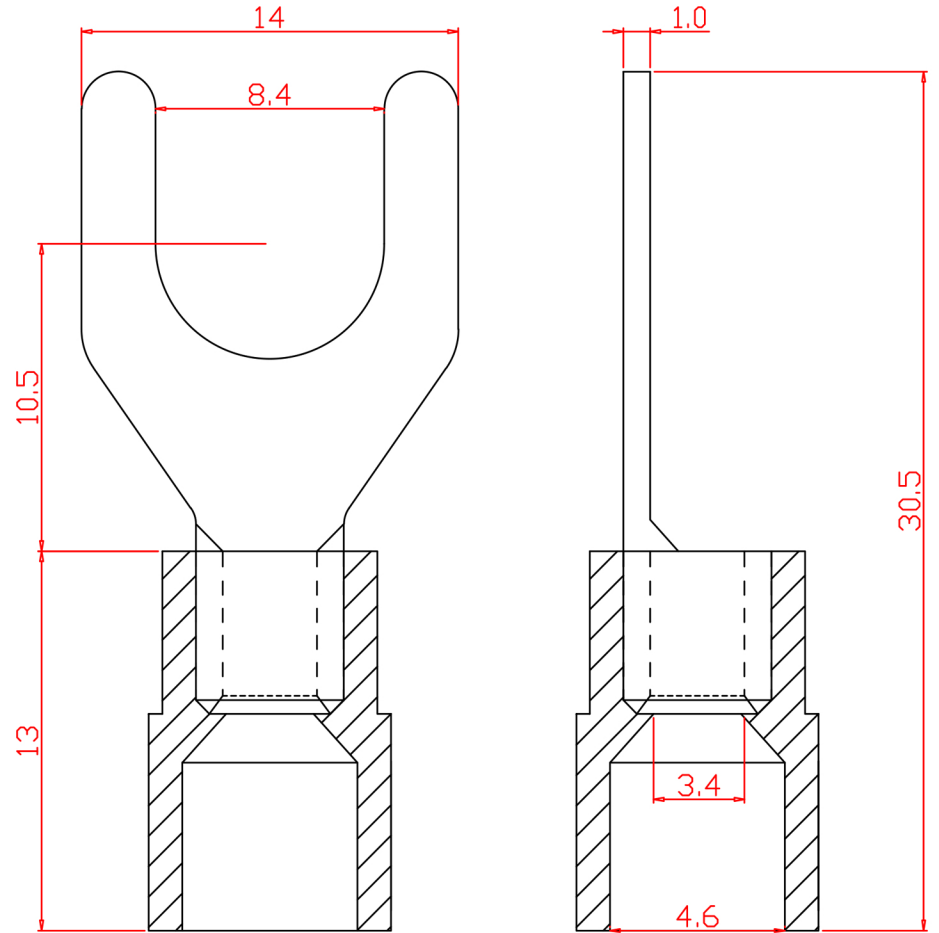
Standard (Metric)

- 1.20" (30.5mm)
- 0.51" (13mm)
- 0.41" (10.5mm)
- 0.55" (14mm)
- 0.33" (8.4mm)
- 0.13" (3.4mm)
- 0.18" (4.6mm)

Tolerances

(Unless Otherwise Specified)

CATEGORY	Nylon Insulated Fork Terminals	SCALE	4/1
PART #	SNYB5-8	SHEET	1-0
MATERIAL	Tin-Plated Copper	PAGE	10F1



MIROMAR