

**Notes:**

- Maximum Electric Current: 

AWG	12	10	
AMP	35	50	
- Maximum Electric Rating: 105°C 600 Volts Max
- Insulation Material: Nylon
- Insulation Color: Yellow
- Terminal Material: Copper
- Wire Range: 12-10 AWG (4-6mm<sup>2</sup>)
- Terminal Surface Treatment: Tin Plated
- Terminal Thickness: 1.00mm

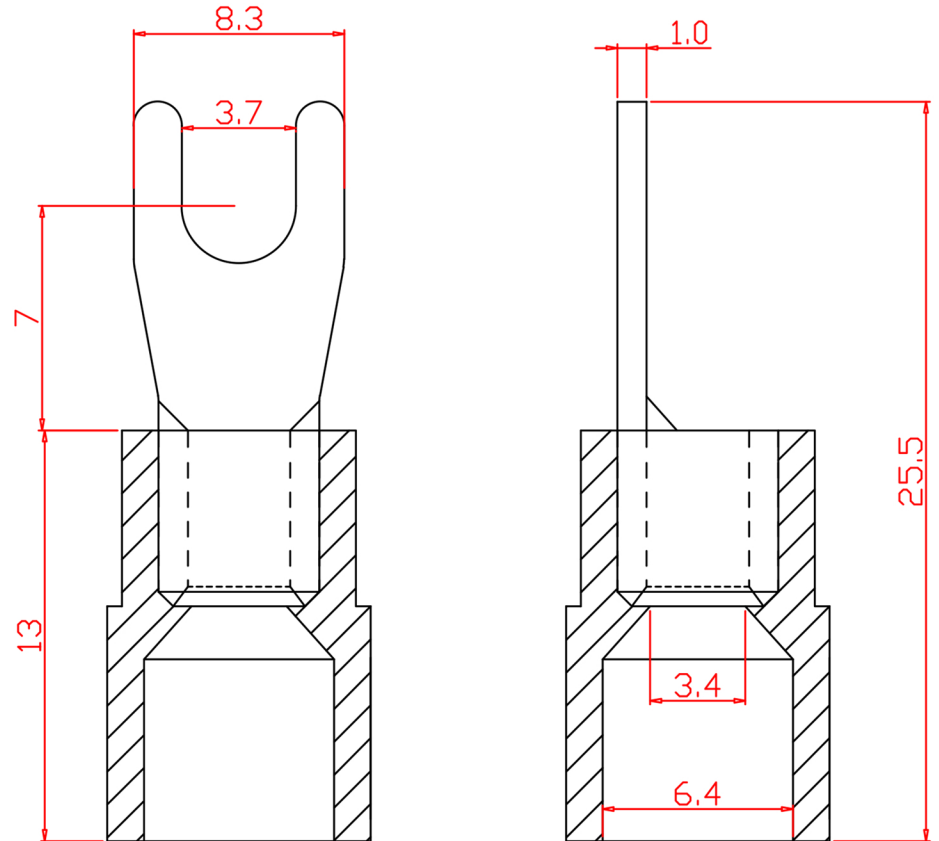
**Standard (Metric)**

- 1.00" (25.5mm)
- 0.51" (13mm)
- 0.28" (7mm)
- 0.33" (8.3mm)
- 0.15" (3.7mm)
- 0.13" (3.4mm)
- 0.25" (6.4mm)

**Tolerances**

(Unless Otherwise Specified)

<b>CATEGORY</b>	Nylon Insulated Fork Terminals	<b>SCALE</b>	4/1
<b>PART #</b>	SNYB5-37	<b>SHEET</b>	1-0
<b>MATERIAL</b>	Tin-Plated Copper	<b>PAGE</b>	10F1



**MIROMAR**