

Notes:

- Maximum Electric Current:

AWG	16	14	
AMP	18	30	
- Maximum Electric Rating: 105°C 600 Volts Max
- Insulation Material: Vinyl
- Insulation Color: Blue
- Terminal Material: Copper
- Wire Range: 16-14 AWG (1.5-2.5mm²)
- Terminal Surface Treatment: Tin Plated
- Terminal Thickness: 0.80mm

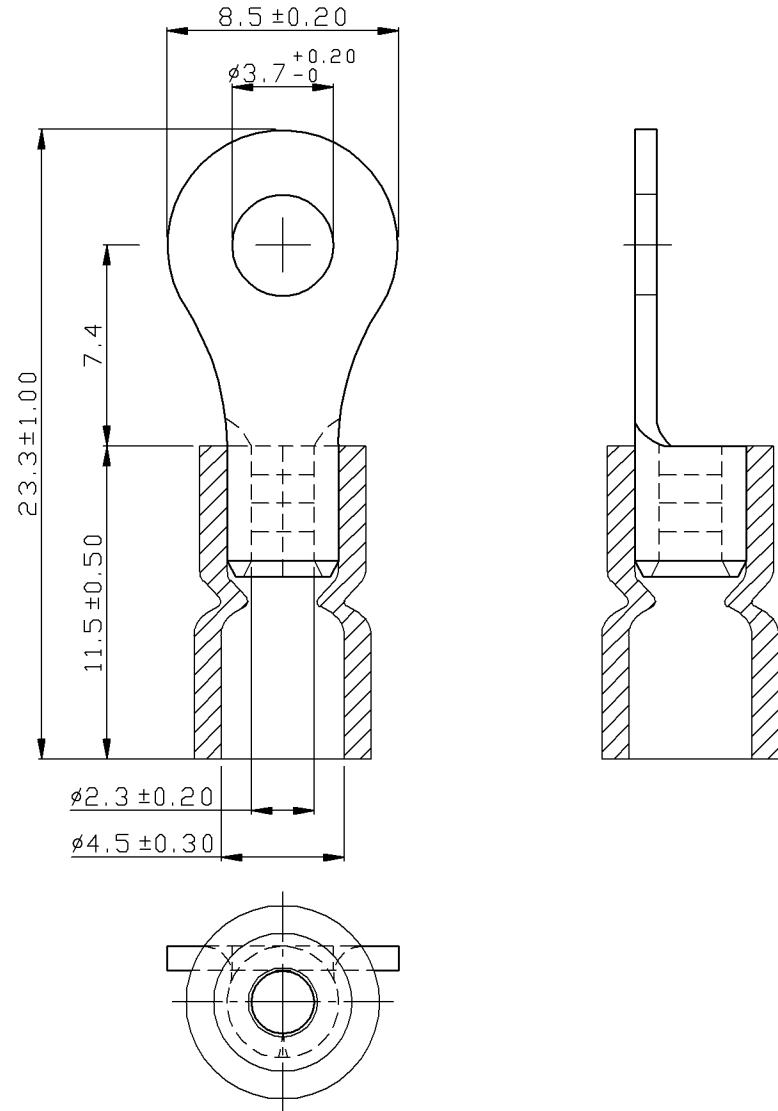
Standard (Metric)

- 0.92" (23.3mm)
- 0.29" (7.4mm)
- 0.45" (11.5mm)
- 0.33" (8.5mm)
- 0.15" (3.7mm)
- 0.09" (2.3mm)
- 0.18" (4.5mm)

Tolerances

(Unless Otherwise Specified)

CATEGORY	Vinyl Insulated Ring Terminals	SCALE	4/1
PART #	RVEL2-37	SHEET	1-3
MATERIAL	Tin-Plated Copper	PAGE	10F2



MIROMAR