

Notes:

1. Terminal Material: Copper
2. Surface Treatment: Tin-Plated
3. Wire Size: 8 AWG (6-10mm²)
4. Stud Size: #10
5. Maximum Electric Current: 62A
6. Temperature Rating: 105°C
7. Insulation Material: Vinyl
8. Insulation Material Color: Red
9. Thickness: 1.2mm

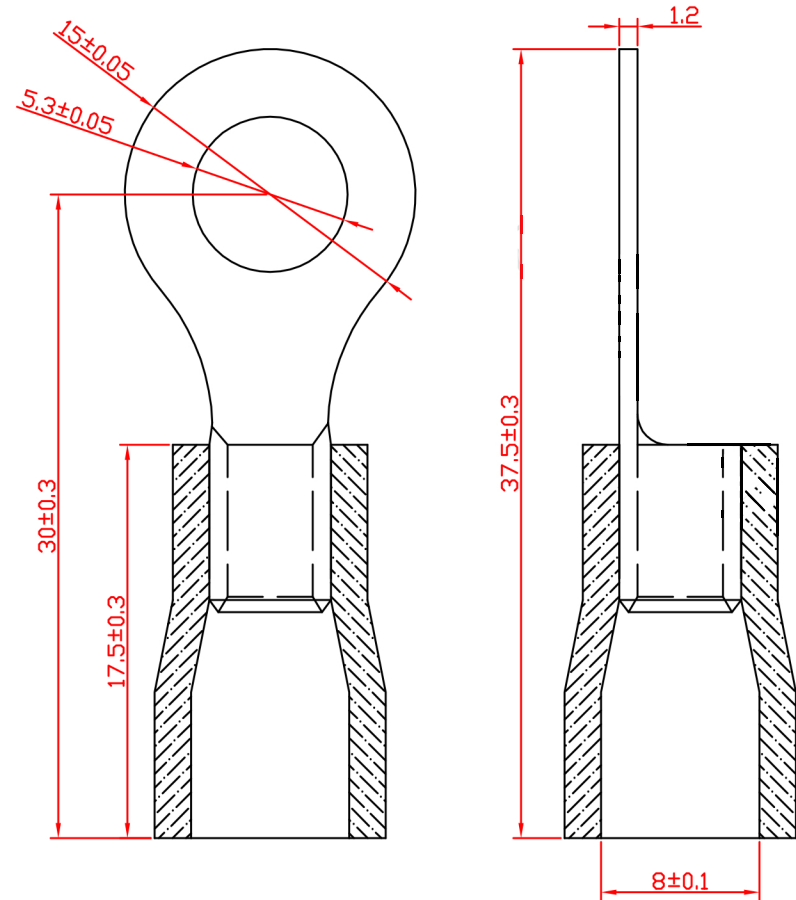
Standard (Metric)

0.59" (15mm)
 0.21" (5.3mm)
 1.18" (30mm)
 0.69" (17.5mm)
 1.48" (37.5mm)
 0.05" (1.2mm)
 0.31" (8mm)

Tolerances

(Unless Otherwise Specified)

0 > 6mm ± 0.20
 6 > 18mm ± 0.30
 18 > 30mm ± 0.40
 30 > 75mm ± 0.50



CATEGORY

Vinyl Insulated
Ring Terminals

SCALE

4/1

PART #

RVBL8-5

SHEET

1-0

MATERIAL

Tin Plated Copper

PAGE

10F1



MIROMAR