

Notes:

1. Maximum Electric Current:

AWG	12	10	
AMP	35	50	
2. Maximum Electric Rating: 105°C 600 Volts Max
3. Insulation Material: Nylon
4. Insulation Color: Yellow
5. Terminal Material: Copper
6. Wire Range: 12-10 AWG (4-6mm²)
7. Terminal Surface Treatment: Tin Plated
8. Terminal Thickness: 1.00mm

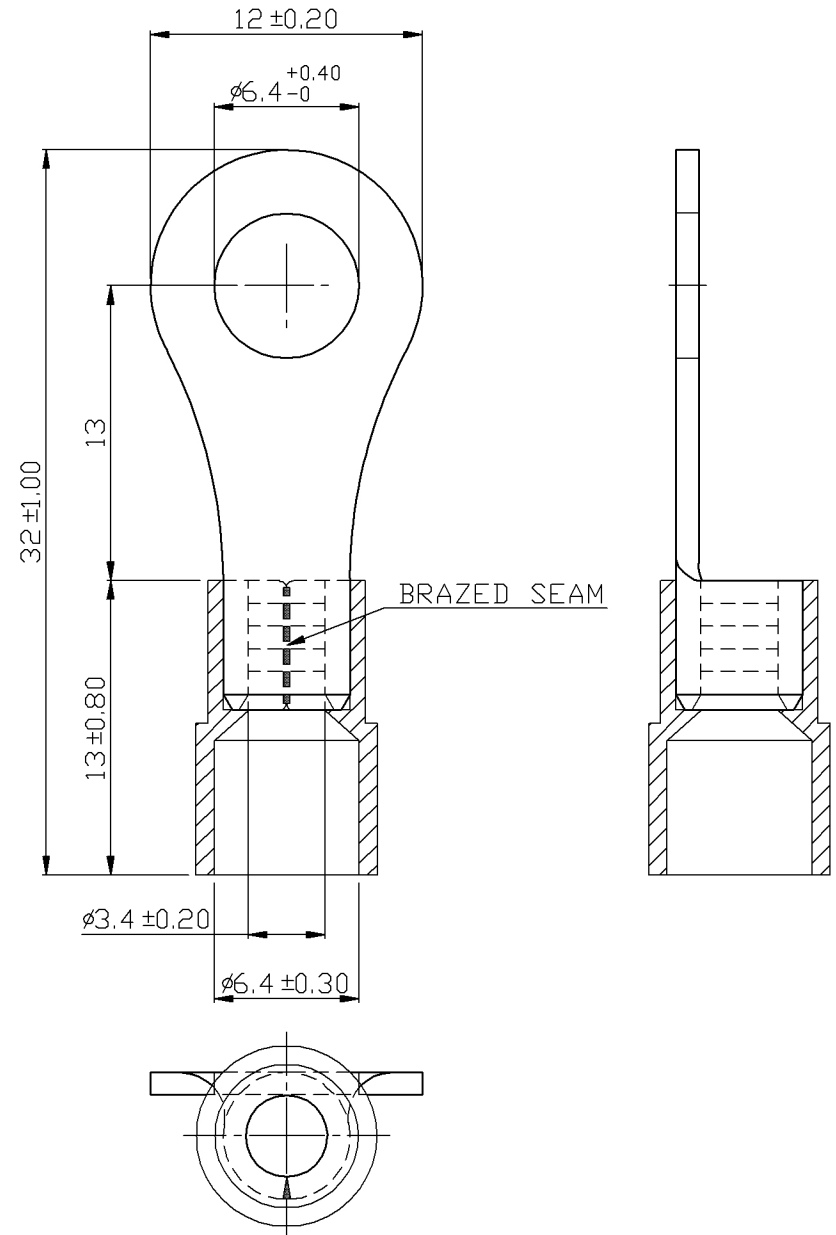
Standard (Metric)

1.26" (32mm)
 0.51" (13mm)
 0.51" (13mm)
 0.47" (12mm)
 0.25" (6.4mm)
 0.13" (3.4mm)
 0.25" (6.4mm)

Tolerances

(Unless Otherwise Specified)

CATEGORY	Nylon Ring Terminals - Standard Crimp	SCALE	3/1
PART #	RNYM5-6	SHEET	1-3
MATERIAL	Tin-Plated Copper	PAGE	10F2



MIROMAR