

## Notes:

- Maximum Electric Current: 

AWG	22	20	18	16
AMP	9	12	17	18
- Maximum Electric Rating: 105°C 600 Volts Max
- Insulation Material: Nylon
- Insulation Color: Red
- Terminal Material: Copper
- Wire Range: 22-16 AWG (0.5-1.5mm<sup>2</sup>)
- Terminal Surface Treatment: Tin Plated
- Terminal Thickness: 0.80mm

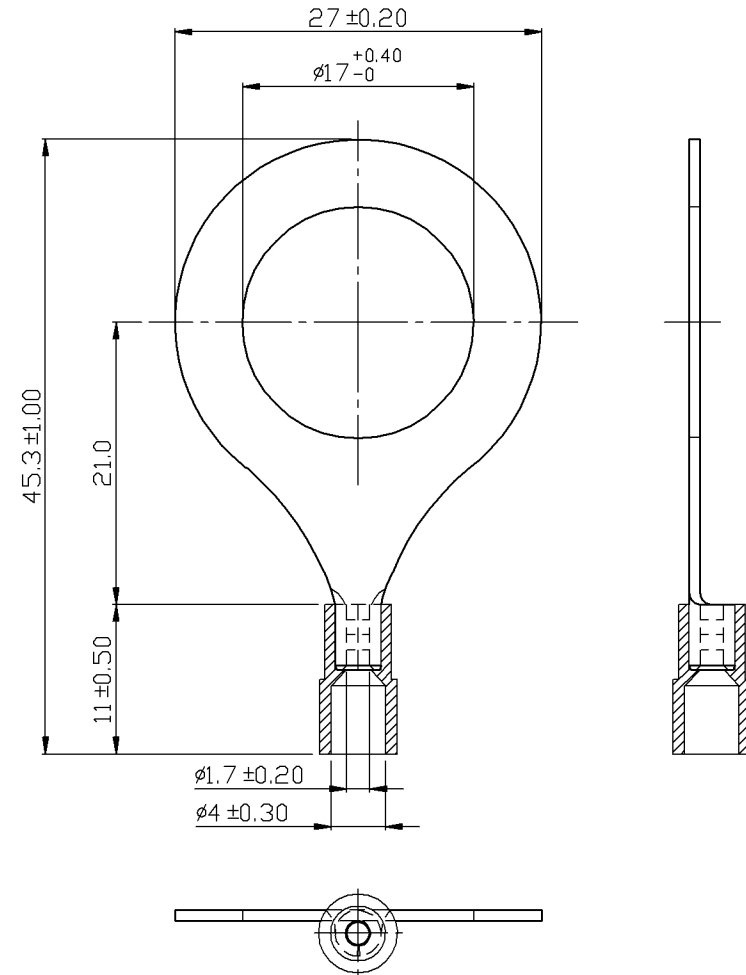
### Standard (Metric)

1.78" (45.3mm)  
 0.83" (21mm)  
 0.43" (11mm)  
 1.06" (27mm)  
 0.67" (17mm)  
 0.07" (1.7mm)  
 0.16" (4mm)

### Tolerances

(Unless Otherwise Specified)

<b>CATEGORY</b>	Nylon Ring Terminals - Standard Crimp	<b>SCALE</b>	2/1
<b>PART #</b>	RNY1-16	<b>SHEET</b>	1-2
<b>MATERIAL</b>	Tin-Plated Copper	<b>PAGE</b>	10F2



# MIROMAR