

## Notes:

- Maximum Electrical Current: 

AWG	22	20	18	16
AMP	9	12	17	18
- Maximum Electrical Rating: 150° 600 Volts
- Terminal Material: Copper
- Wire Range: 22-16 AWG (0.5-1.5mm<sup>2</sup>)
- Terminal Surface Treatment: Tin Plated
- #8 Stud Size
- Terminal Thickness: 0.75mm

### Standard (Metric)

0.57" (14.4mm)  
 0.19" (4.8mm)  
 0.25" (6.3mm)  
 0.26" (6.6mm)  
 0.17" (4.3mm)  
 0.07" (1.7mm)  
 0.13" (3.4mm)

### Tolerances

(Unless Otherwise Specified)

**CATEGORY**

Non Insulated  
Ring Terminals

**SCALE**

5/1

**PART #**

RNBS1-4

**SHEET**

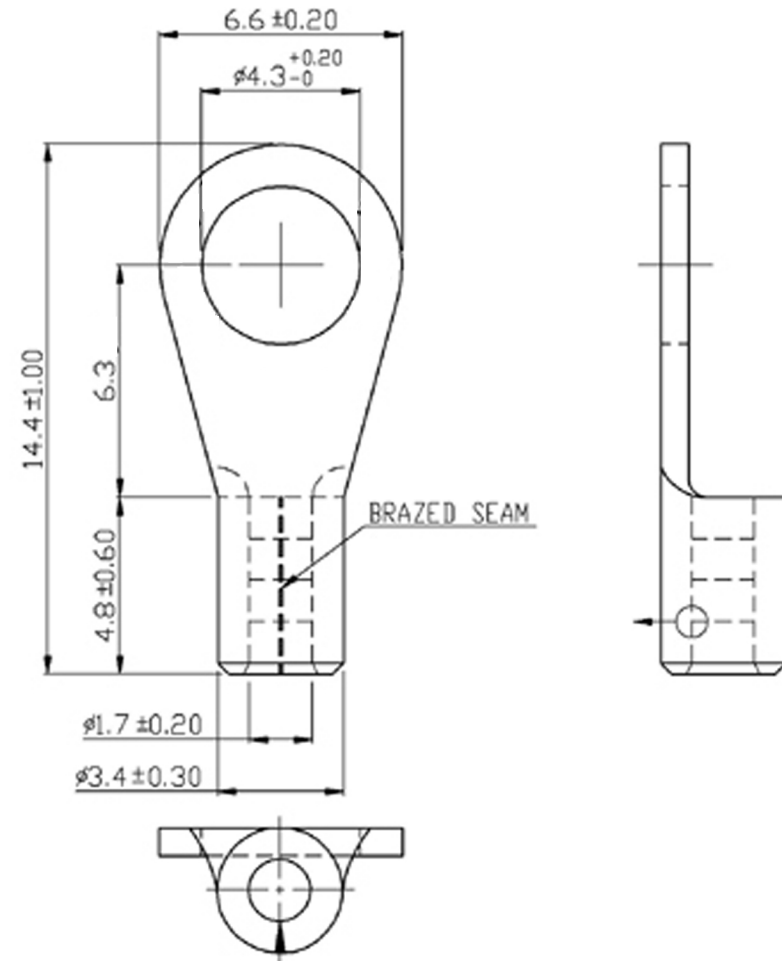
1-3

**MATERIAL**

Tin Plated Copper

**PAGE**

10F2



**MIROMAR**