

Notes:

- Maximum Electrical Current:

AWG	16	14		
AMP	18	30		
- Maximum Electrical Rating: 150° 600 Volts
- Terminal Material: Copper
- Wire Range: 16-14 AWG (1.5-2.5mm²)
- Terminal Surface Treatment: Tin Plated
- #10 Stud Size
- Terminal Thickness: 0.80mm

Standard (Metric)

0.66" (16.8mm)
 0.19" (4.8mm)
 0.29" (7.4mm)
 0.37" (9.5mm)
 0.21" (5.3mm)
 0.09" (2.3mm)
 0.16" (4.1mm)

Tolerances

(Unless Otherwise Specified)

CATEGORY

Non Insulated
Ring Terminals

SCALE

4/1

PART #

RNBL2-5

SHEET

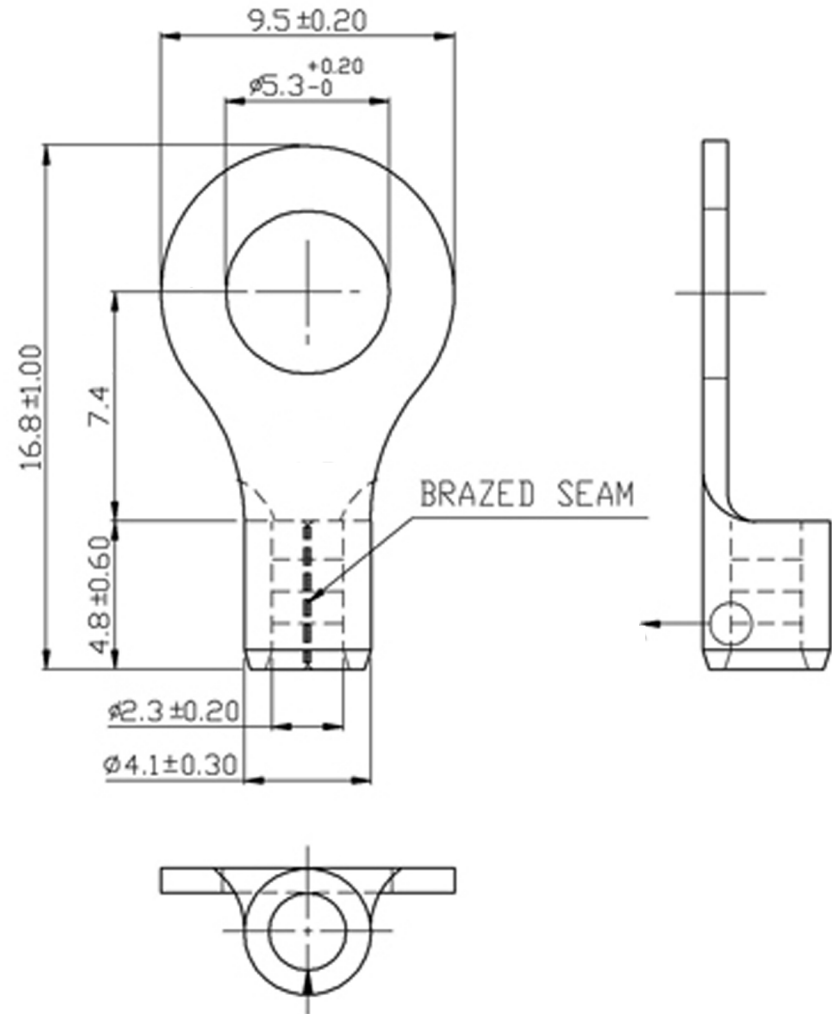
1-3

MATERIAL

Tin Plated Copper

PAGE

10F2



MIROMAR