

Notes:

- Maximum Electrical Current:

AWG	16	14	
AMP	18	30	
- Maximum Electrical Rating: 150° 600 Volts
- Terminal Material: Copper
- Wire Range: 16-14 AWG (1.5-2.5mm²)
- Terminal Surface Treatment: Tin Plated
- 3/8 Stud Size
- Terminal Thickness: 0.80mm

Standard (Metric)

1.00" (25.5mm)
 0.19" (4.8mm)
 0.55" (13.9mm)
 0.54" (13.6mm)
 0.41" (10.5mm)
 0.09" (2.3mm)
 0.16" (4.1mm)

Tolerances

(Unless Otherwise Specified)

CATEGORY

Non Insulated
Ring Terminal

SCALE

3/1

PART

RNB2-10

SHEET

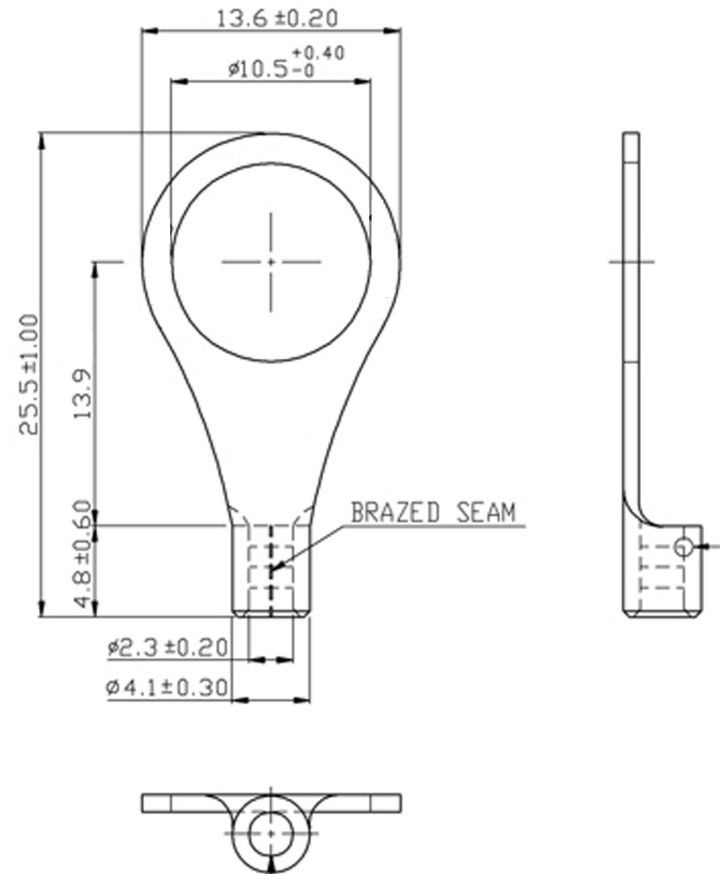
1-3

MATERIAL

Tin Plated Copper

PAGE

10F2



MIROMAR