

Notes:

- Maximum Electric Current:

AWG	16	14	
AMP	18	30	
- Maximum Electric Rating: 105°C 600 Volts Max
- Insulation Material: Nylon
- Insulation Color: Blue
- Terminal Material: Copper
- Wire Range: 16-14 AWG (1.5-2.5mm²)
- Terminal Surface Treatment: Tin Plated
- Terminal Thickness: 0.80mm

Standard (Metric)

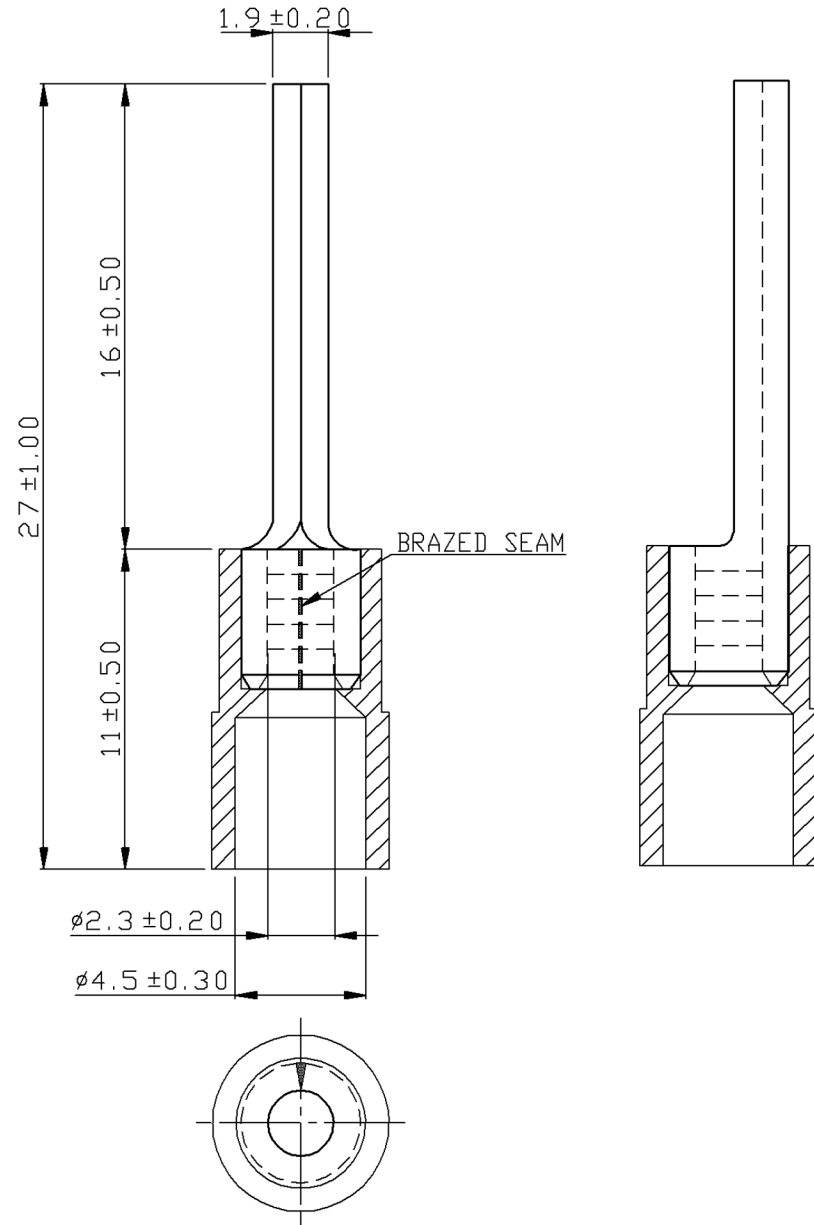
- 1.06" (27mm)
- 0.43" (11mm)
- 0.63" (16mm)
- 0.07" (1.9mm)
- 0.09" (2.3mm)
- 0.18" (4.5mm)

Tolerances

(Unless Otherwise Specified)

- 0 > 6mm ± 0.20
- 6 > 18mm ± 0.30
- 18 > 30mm ± 0.40
- 30 > 75mm ± 0.50

CATEGORY	Nylon Insulated Pin Terminals	SCALE	4/1
PART #	PTNYB2-16	SHEET	1-3
MATERIAL	Tin-Plated Copper	PAGE	10F1



MIROMAR