

### Notes:

- Maximum Electric Current: 

AWG	16	14	
AMP	18	30	
- Maximum Electric Rating: 105°C 600 Volts Max
- Insulation Material: Nylon
- Insulation Color: Blue
- Terminal Material: Copper
- Wire Range: 16-14 AWG (1.5-2.5mm<sup>2</sup>)
- Terminal Surface Treatment: Tin Plated
- Terminal Thickness: 0.80mm

### Standard (Metric)

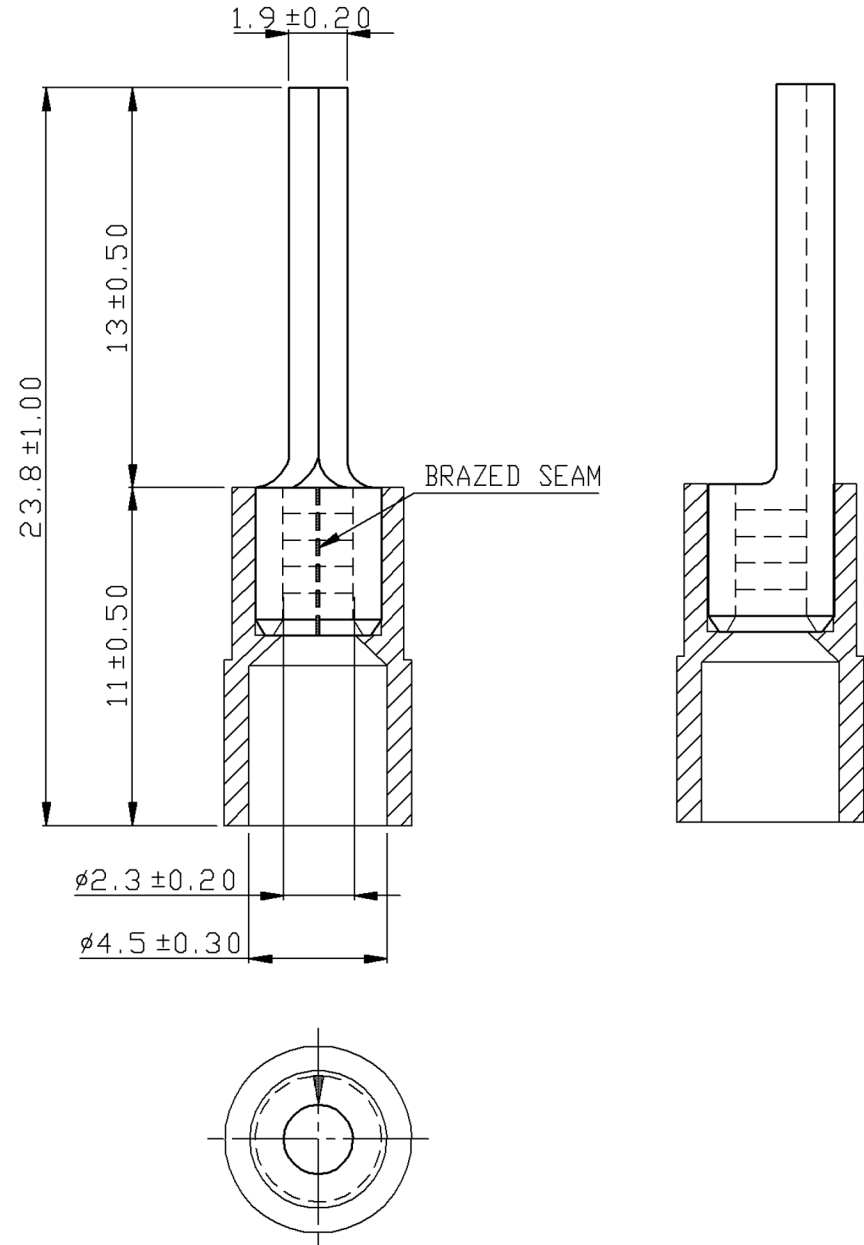
0.94" (23.8mm)  
 0.43" (11mm)  
 0.51" (13mm)  
 0.07" (1.9mm)  
 0.09" (2.3mm)  
 0.18" (4.5mm)

### Tolerances

(Unless Otherwise Specified)

0 > 6mm ± 0.20  
 6 > 18mm ± 0.30  
 18 > 30mm ± 0.40  
 30 > 75mm ± 0.50

<b>CATEGORY</b>	Nylon Insulated Pin Terminals	<b>SCALE</b>	4/1
<b>PART #</b>	PTNYB2-13	<b>SHEET</b>	1-3
<b>MATERIAL</b>	Tin-Plated Copper	<b>PAGE</b>	10F1



# MIROMAR