

Notes:

- Maximum Electric Current:

AWG	16	14		
AMP	18	30		
- Maximum Electric Rating: 105°C 600 Volts Max
- Insulation Material: Vinyl
- Insulation Color: Blue
- Terminal Material: Copper
- Wire Range: 16-14 AWG (1.5-2.5mm²)
- Terminal Surface Treatment: Tin Plated
- Terminal Thickness: 0.80mm
- Double Crimp

Standard (Metric)

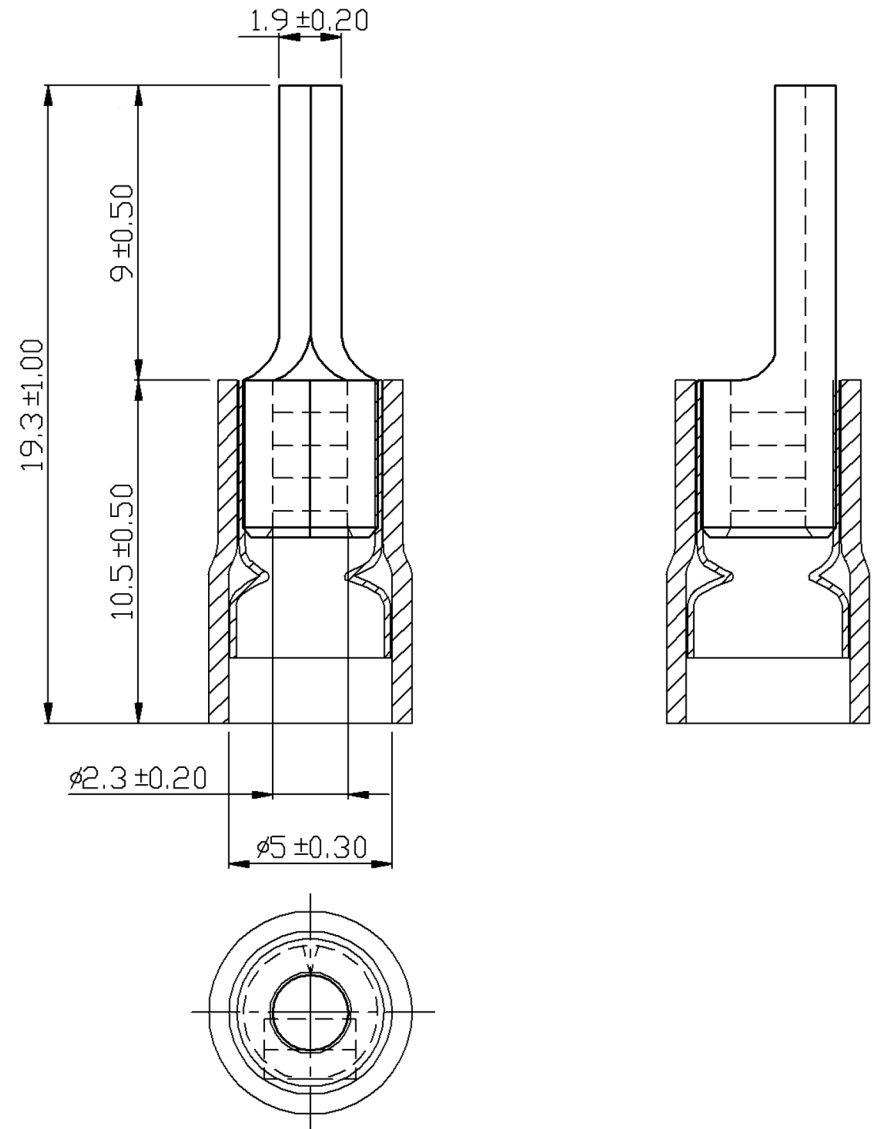
0.76" (19.3mm)
 0.41" (10.5mm)
 0.35" (9mm)
 0.07" (1.9mm)
 0.09" (2.3mm)
 0.20" (5mm)

Tolerances

(Unless Otherwise Specified)

0 > 6mm ± 0.20
 6 > 18mm ± 0.30
 18 > 30mm ± 0.40
 30 > 75mm ± 0.50

CATEGORY	Vinyl Insulated Double Crimp Pin Terminals	SCALE	4/1
PART #	PTD2-9	SHEET	1-4
MATERIAL	Tin-Plated Copper	PAGE	10F1



MIROMAR