

## Notes:

- Maximum Electric Current: 

AWG	16	14		
AMP	10	15		
- Maximum Electrical Rating: 105° 600 Volts Max.
- Insulation Material: Nylon
- Insulation Color: Blue
- Terminal Material: Brass
- Wire Range: 16-14 AWG (1.5-2.5mm<sup>2</sup>)
- Terminal Surface Treatment: Tin Plated
- Nema Tab: 0.032" x 0.250" (0.8mm x 6.35mm)
- Double Crimp
- Terminal Thickness: 0.40mm

### Standard (Metric)

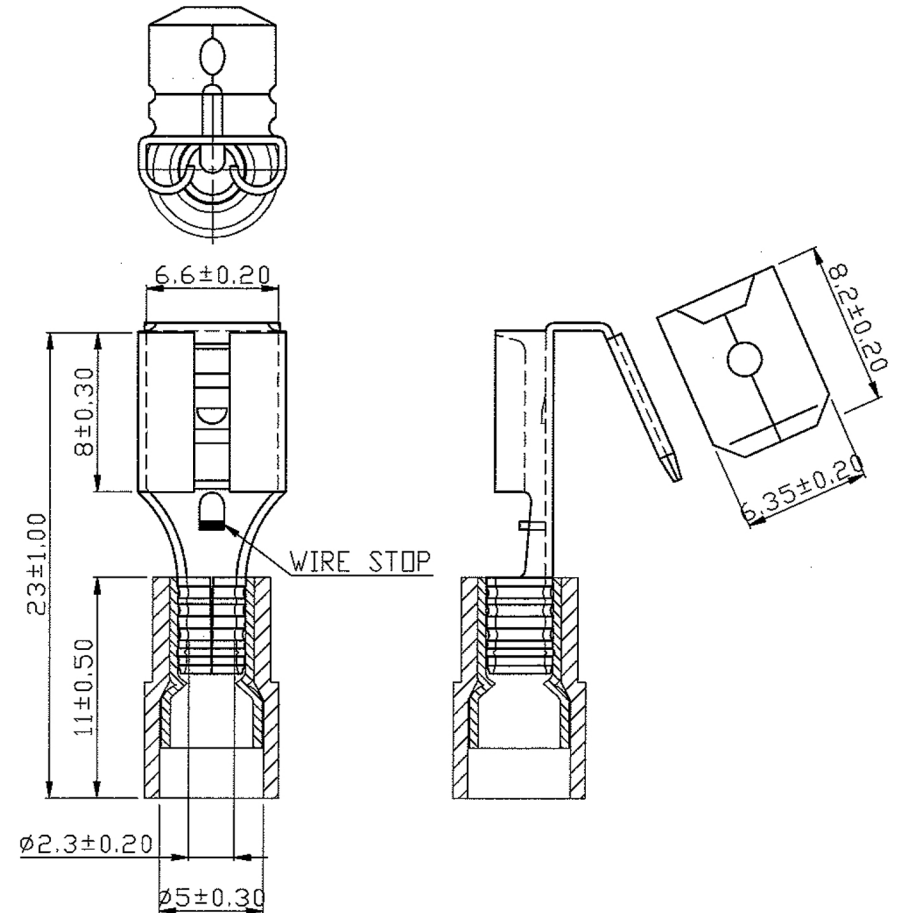
0.91" (23mm)  
 0.43" (11mm)  
 0.31" (8mm)  
 0.26" (6.6mm)  
 0.09" (2.3mm)  
 0.20" (5mm)  
 0.32" (8.2mm)  
 0.25" (6.35mm)

### Tolerances

(Unless Otherwise Specified)

0 > 6mm ± 0.20  
 6 > 18mm ± 0.30  
 18 > 30mm ± 0.40  
 30 > 75mm ± 0.50

<b>CATEGORY</b>	Nylon Insulated Piggyback Double Crimp Terminals	<b>SCALE</b>	3/1
<b>PART #</b>	PBDNYD2-250	<b>SHEET</b>	1-0
<b>MATERIAL</b>	Tin-Plated Brass	<b>PAGE</b>	10F2



# MIROMAR