

Notes:

- Maximum Electric Current:

AWG	12	10		
AMP	20	24		
- Maximum Electrical Rating: 105° 600 Volts Max.
- Insulation Material: Vinyl
- Insulation Color: Yellow
- Terminal Material: Brass
- Wire Range: 12-10 AWG (4-6mm²)
- Terminal Surface Treatment: Tin Plated
- Nema Tab: 0.032" x 0.250" (0.8mm x 6.35mm)
- Double Crimp
- Terminal Thickness: 0.40mm

Standard (Metric)

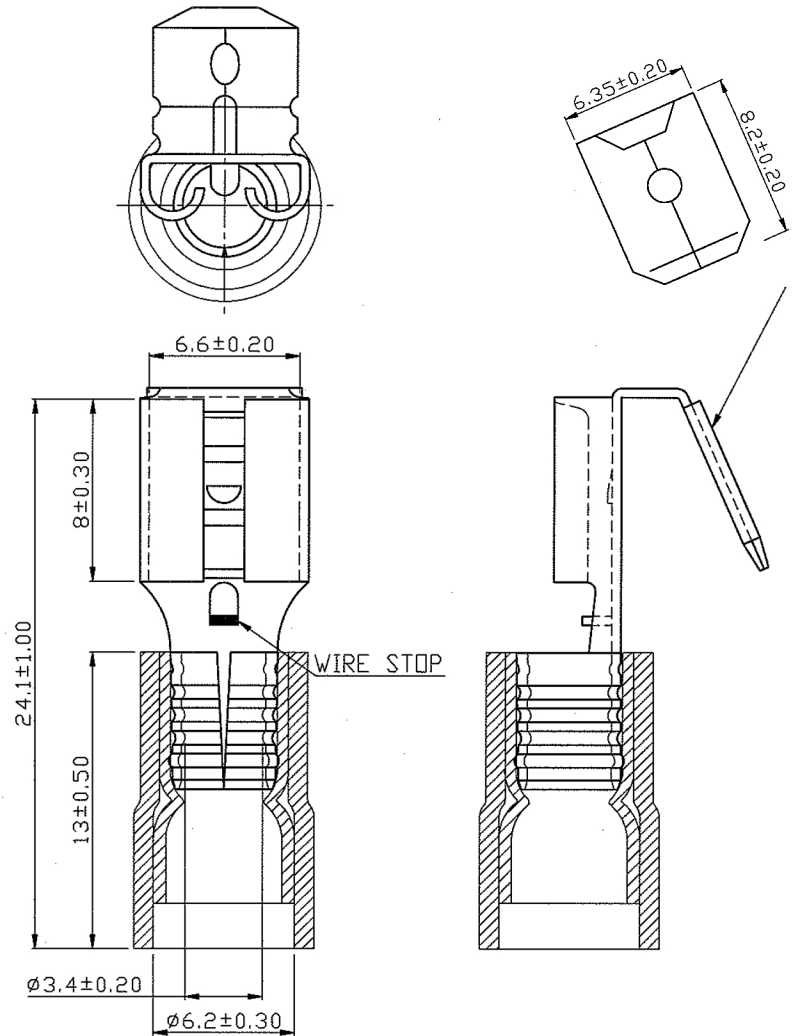
0.95" (24.1mm)
 0.51" (13mm)
 0.31" (8mm)
 0.26" (6.6mm)
 0.13" (3.4mm)
 0.24" (6.2mm)
 0.32" (8.2mm)
 0.25" (6.35mm)

Tolerances

(Unless Otherwise Specified)

0 > 6mm ± 0.20
 6 > 18mm ± 0.30
 18 > 30mm ± 0.40
 30 > 75mm ± 0.50

CATEGORY	Vinyl Insulated Piggyback Double Crimp Terminals	SCALE	4/1
PART #	PBDD5-250	SHEET	1-1
MATERIAL	Tin-Plated Brass	PAGE	10F2



MIROMAR