

Notes:

- Maximum Electric Current:

AWG	22	20	18	16
AMP	3	4	7	10
- Maximum Electrical Rating: 105° 600 Volts Max.
- Insulation Material: Vinyl
- Insulation Color: Red
- Terminal Material: Brass
- Wire Range: 22-16 AWG (0.5-1.5mm²)
- Terminal Surface Treatment: Tin Plated
- Nema Tab: 0.032" x 0.250" (0.8mm x 6.35mm)
- Double Crimp
- Terminal Thickness: 0.40mm

Standard (Metric)

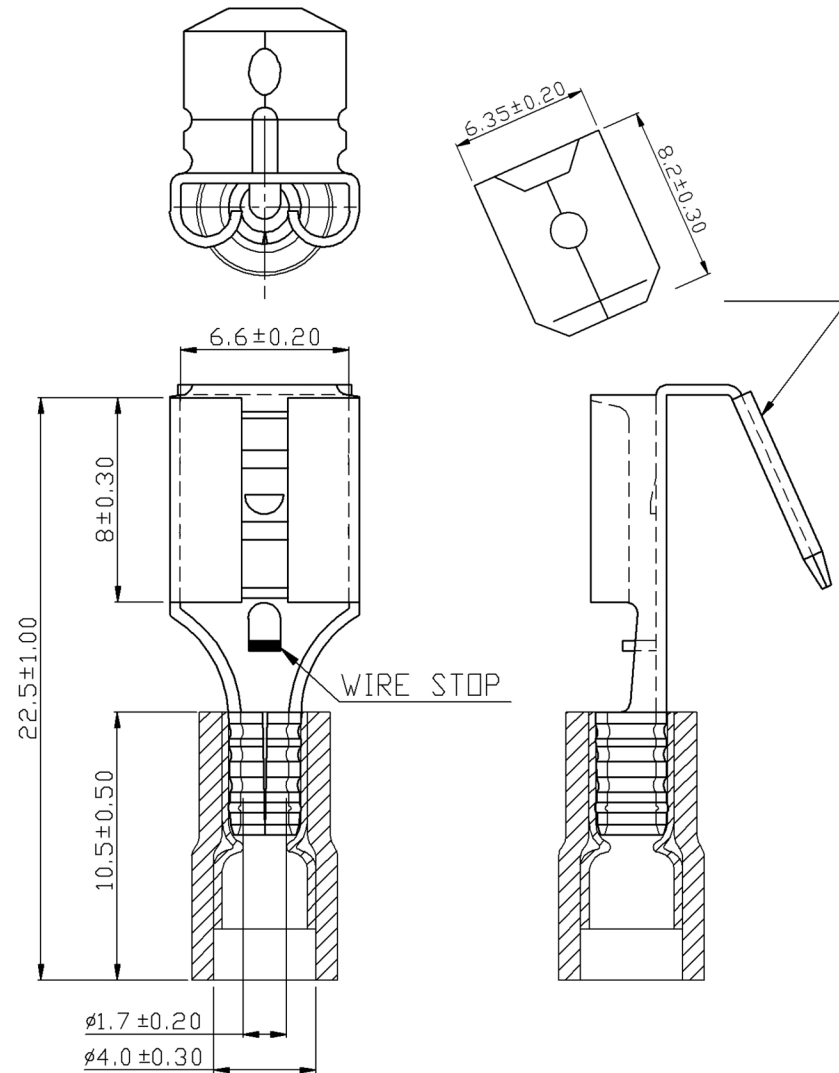
0.89" (22.5mm)
 0.41" (10.5mm)
 0.31" (8mm)
 0.26" (6.6mm)
 0.07" (1.7mm)
 0.16" (4mm)
 0.32" (8.2mm)
 0.25" (6.35mm)

Tolerances

(Unless Otherwise Specified)

0 > 6mm ± 0.20
 6 > 18mm ± 0.30
 18 > 30mm ± 0.40
 30 > 75mm ± 0.50

CATEGORY	Vinyl Insulated Piggyback Double Crimp Terminals	SCALE	4/1
PART #	PBDD1-250	SHEET	1-2
MATERIAL	Tin-Plated Brass	PAGE	10F2



MIROMAR