

Notes:

- Maximum Electric Current:

AWG	12	10	
AMP	35	50	
- Terminal Material: Copper Tubular
- Insulation Material: Nylon
- Insulation Color: Natural
- Maximum Electrical Rating: 105° 600 Volts Max.
- Wire Range: 12-10 AWG (5.5mm²)
- Terminal Thickness: 0.70mm

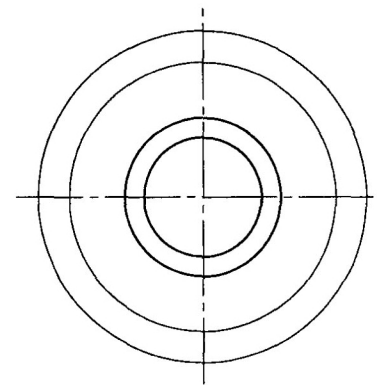
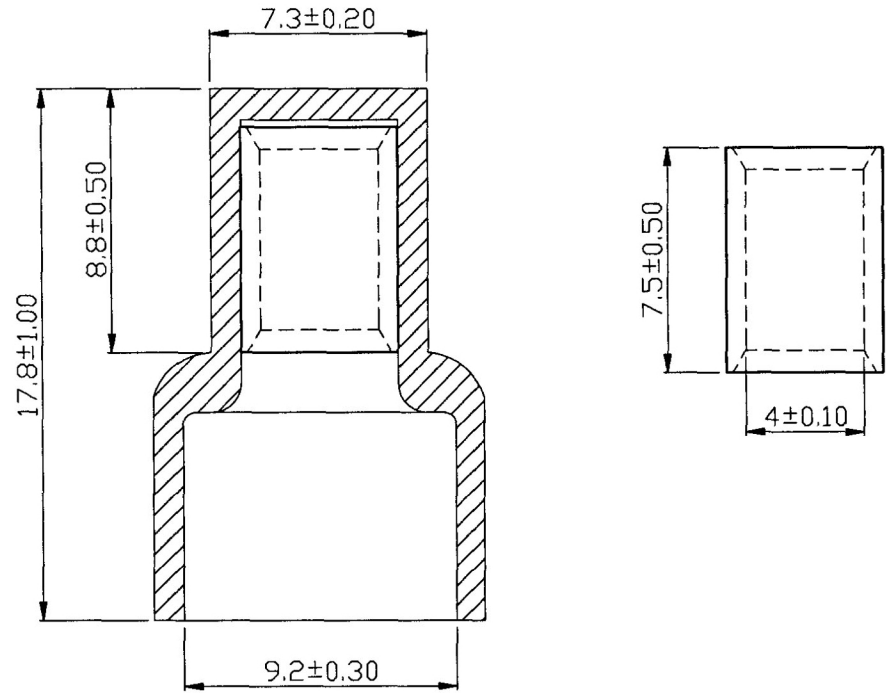
Standard (Metric)

- 0.70" (17.8mm)
- 0.35" (8.8mm)
- 0.29" (7.3mm)
- 0.36" (9.2mm)
- 0.30" (7.5mm)
- 0.16" (4mm)

Tolerances

(Unless Otherwise Specified)

- 0 > 6mm ± 0.20
- 6 > 18mm ± 0.30
- 18 > 30mm ± 0.40
- 30 > 75mm ± 0.50



CATEGORY	Closed End Connector	SCALE	4/1
PART #	PB5	SHEET	1-0
MATERIAL	Copper	PAGE	10F1

