

Notes:

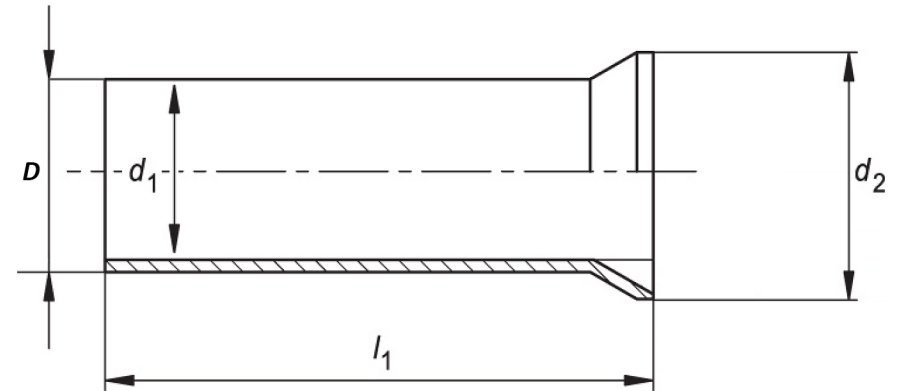
1. Maximum Electric Current: 445A
2. Maximum Electric Rating: Up to 2000V
3. Terminal Material: Copper
4. Wire Range: 350MCM (185.00mm²)

Standard (Metric)

L1: 1.26 (32mm)
D: 0.84 (21.4mm)
D1: 0.80 (20.2mm)
D2: 0.94 (23.9mm)

Tolerances

(Unless Otherwise Specified)



CATEGORY

Non Insulated
Wire Ferrule

SCALE

4/1

PART #

N1850032

SHEET

1-1

MATERIAL

Tin-Plated Copper

PAGE

