

Notes:

- Maximum Electric Current:

AWG	12	10	
AMP	35	50	
- Maximum Electric Rating: 105°C 600 Volts Max
- Insulation Material: Vinyl
- Insulation Color: Yellow
- Terminal Material: Copper
- Wire Range: 12-10 AWG (4-6mm²)
- Terminal Surface Treatment: Tin Plated
- Terminal Thickness: 1.00mm

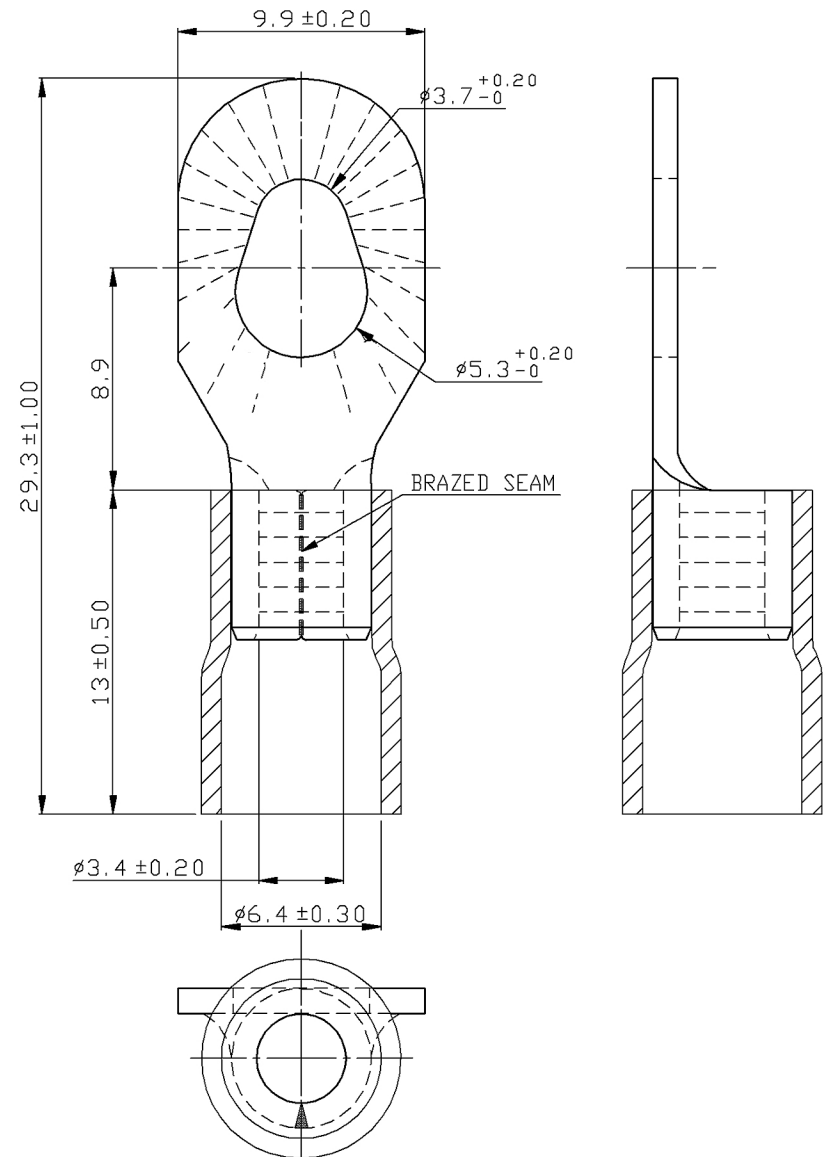
Standard (Metric)

1.15" (29.3mm)
 0.35" (8.9mm)
 0.51" (13mm)
 0.39" (9.9mm)
 0.15" (3.7mm)
 0.21" (5.3mm)
 0.13" (3.4mm)
 0.25" (6.4mm)

Tolerances

(Unless Otherwise Specified)

CATEGORY	Vinyl Insulated Multi Stud Ring Terminal	SCALE	4/1
PART #	MSRVB5-3753	SHEET	1-3
MATERIAL	Tin-Plated Copper	PAGE	10F2



MIROMAR