

Notes:

- Maximum Electric Current:

AWG	16	14		
AMP	10	15		
- Maximum Electric Rating: 105°C 600 Volts Max
- Insulation Material: Nylon
- Insulation Color: Blue
- Terminal Material: Brass
- Wire Range: 16-14 AWG (1.5-2.5mm²)
- Terminal Surface Treatment: Tin Plated
- Terminal Thickness: 0.40mm
- Double Crimp
- Nema Tab: 0.032" x 0.187" (0.8mm x 4.75mm)

Standard (Metric)

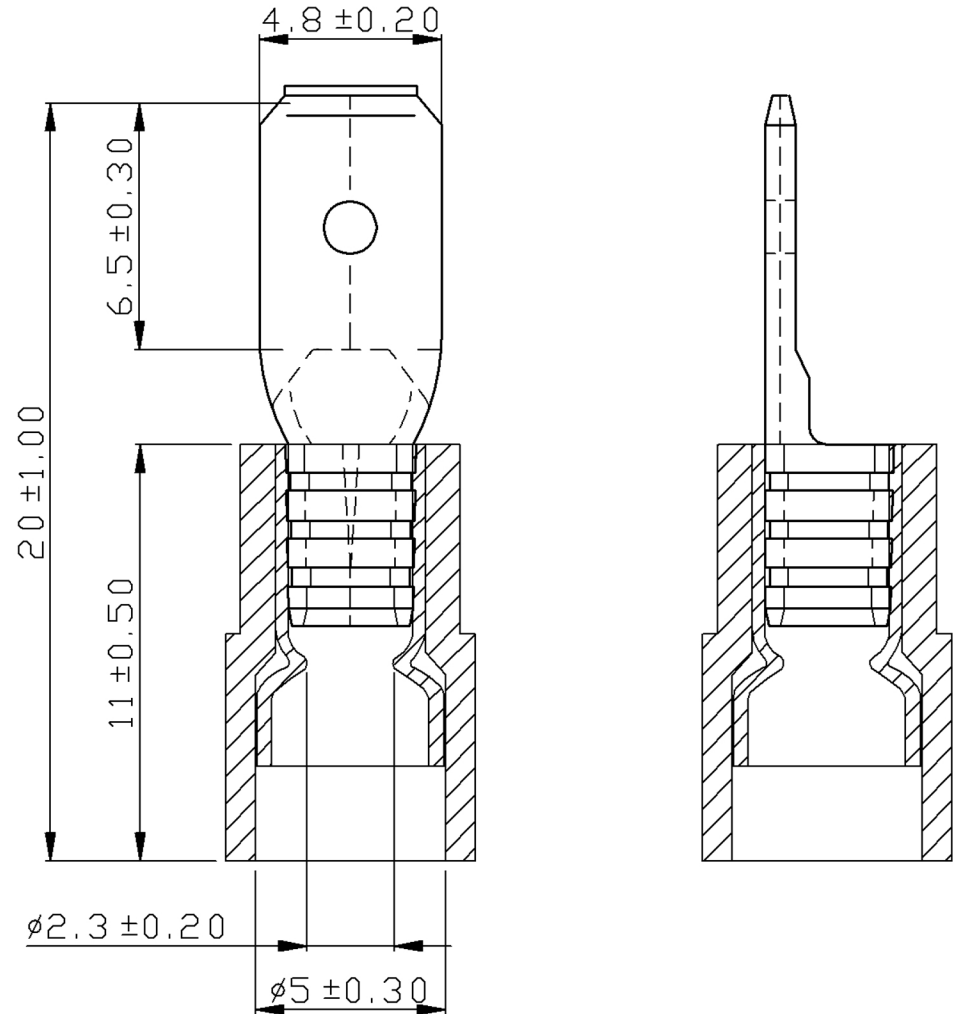
- 0.79" (20mm)
- 0.43" (11mm)
- 0.26" (6.5mm)
- 0.19" (4.8mm)
- 0.09" (2.3mm)
- 0.20" (5mm)

Tolerances

(Unless Otherwise Specified)

- 0 > 6mm ± 0.20
- 6 > 18mm ± 0.30
- 18 > 30mm ± 0.40
- 30 > 75mm ± 0.50

CATEGORY	Nylon Insulated Double Crimp Male Disconnectors	SCALE	4/1
PART #	MDNYD2-187(8)	SHEET	1-1
MATERIAL	Tin-Plated Brass	PAGE	10F2



MIROMAR