

Notes:

- Maximum Electric Current:

AWG	22	20	18	16
AMP	3	4	7	10
- Maximum Electric Rating: 105°C 600 Volts Max
- Insulation Material: Nylon
- Insulation Color: Red
- Terminal Material: Brass
- Wire Range: 22-16 AWG (0.5-1.5mm²)
- Terminal Surface Treatment: Tin Plated
- Terminal Thickness: 0.50mm
- Nema Tab: 0.020" x 0.187" (0.5mm x 4.75mm)
- Double Crimp

Standard (Metric)

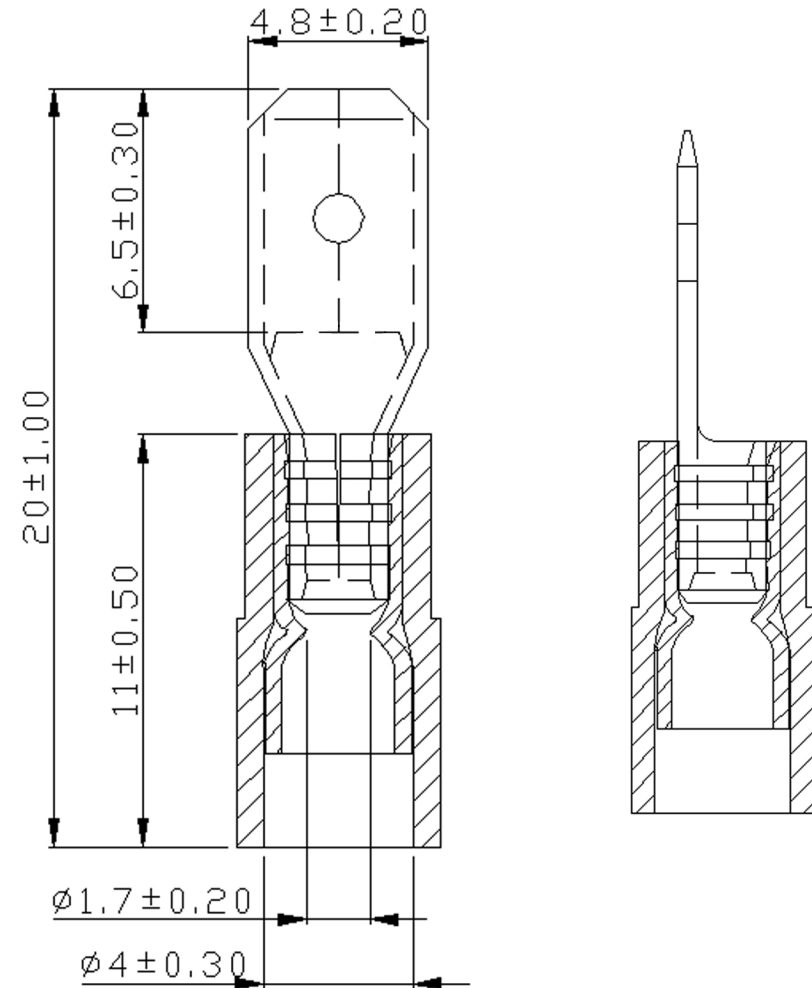
0.79" (20mm)
 0.43" (11mm)
 0.26" (6.5mm)
 0.19" (4.8mm)
 0.07" (1.7mm)
 0.16" (4mm)

Tolerances

(Unless Otherwise Specified)

0 > 6mm ± 0.20
 6 > 18mm ± 0.30
 18 > 30mm ± 0.40
 30 > 75mm ± 0.50

CATEGORY	Nylon Insulated Double Crimp Male Disconnectors	SCALE	4/1
PART #	MDNYD1-187(5)	SHEET	1-0
MATERIAL	Tin-Plated Brass	PAGE	10F2



MIROMAR