

## Notes:

- Maximum Electric Current:
 

|     |    |    |    |    |
|-----|----|----|----|----|
| AWG | 22 | 20 | 18 | 16 |
| AMP | 3  | 4  | 7  | 10 |
- Maximum Electric Rating: 105°C 600 Volts Max
- Insulation Material: Nylon
- Insulation Color: Red
- Terminal Material: Brass
- Wire Range: 22-16 AWG (0.5-1.5mm<sup>2</sup>)
- Terminal Surface Treatment: Tin Plated
- Terminal Thickness: 0.50mm
- Nema Tab: 0.020" x 0.110" (0.5mm x 2.80mm)
- Double Crimp

### Standard (Metric)

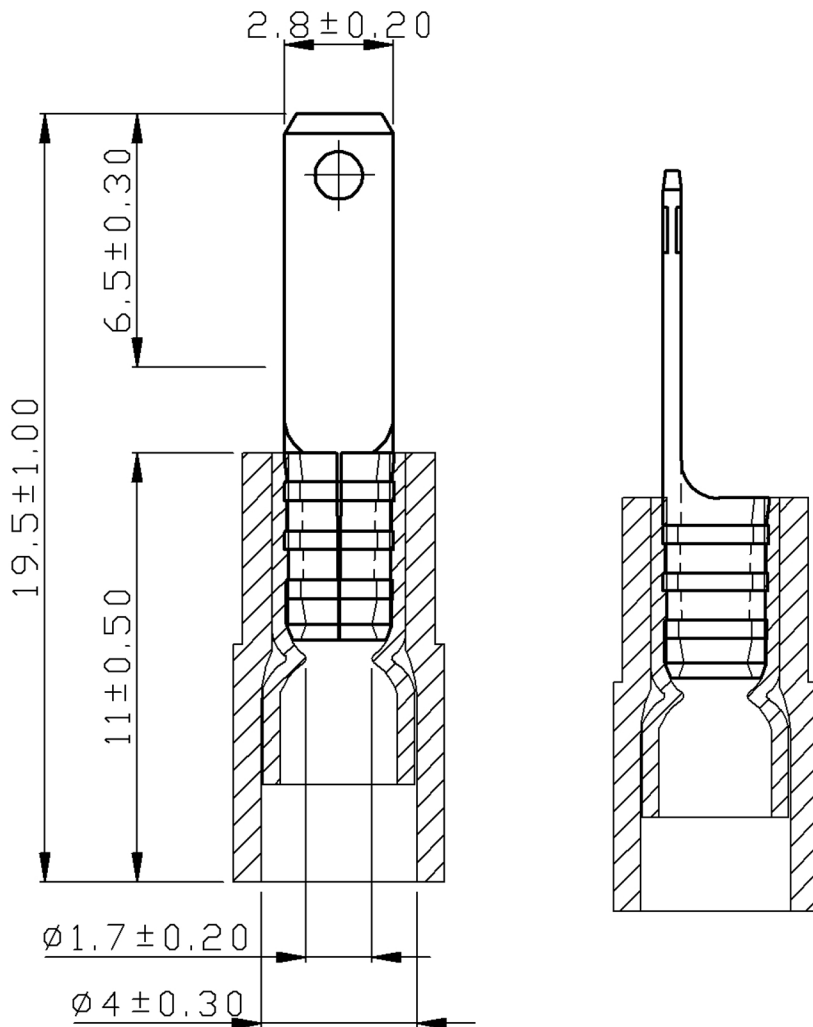
0.77" (19.5mm)  
 0.43" (11mm)  
 0.26" (6.5mm)  
 0.11" (2.8mm)  
 0.07" (1.7mm)  
 0.16" (4mm)

### Tolerances

(Unless Otherwise Specified)

0 > 6mm ± 0.20  
 6 > 18mm ± 0.30  
 18 > 30mm ± 0.40  
 30 > 75mm ± 0.50

|                 |   |              |      |
|-----------------|---|--------------|------|
| <b>CATEGORY</b> | Nylon Insulated Double Crimp Male Disconnectors | <b>SCALE</b> | 4/1  |
| <b>PART #</b>   | MDNYD1-110(5)                                   | <b>SHEET</b> | 1-0  |
| <b>MATERIAL</b> | Tin-Plated Brass                                | <b>PAGE</b>  | 10F2 |



# MIROMAR