

Notes:

- Maximum Electric Current:

AWG	16	14	
AMP	10	15	
- Maximum Electric Rating: 105°C 300 Volts Max
- Insulation Material: Nylon
- Insulation Color: Blue
- Terminal Material: Brass
- Wire Range: 16-14 AWG (1.5-2.5mm²)
- Terminal Surface Treatment: Tin Plated
- Terminal Thickness: 0.40mm
- Nema Tab: 0.032" x 0.250" (0.8mm x 6.35mm)

Standard (Metric)

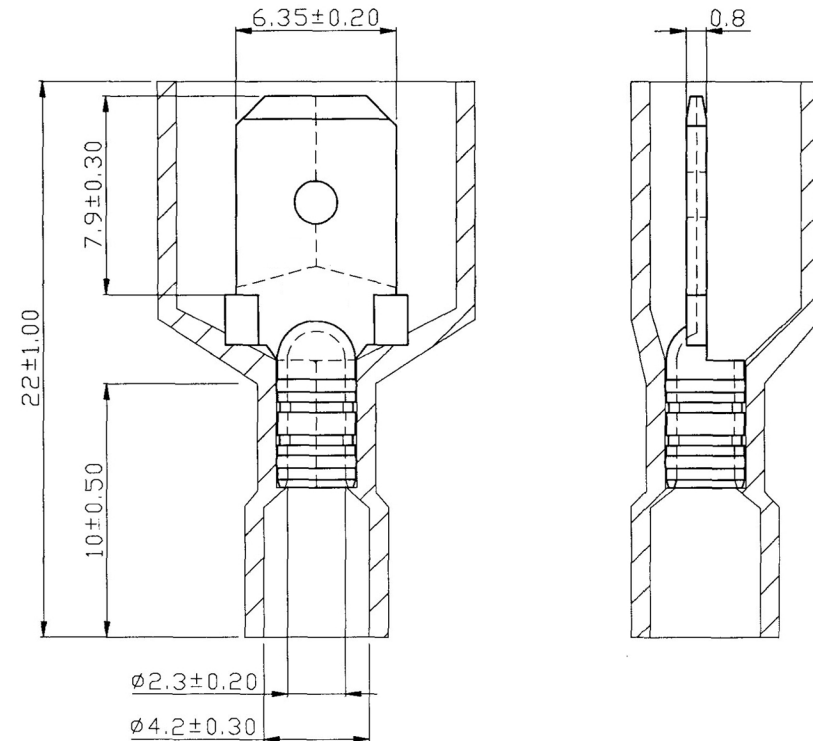
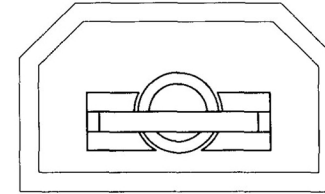
0.87" (22mm)
 0.39" (10mm)
 0.31" (7.9mm)
 0.25" (6.35mm)
 0.09" (2.3mm)
 0.17" (4.2mm)

Tolerances

(Unless Otherwise Specified)

0 > 6mm ± 0.20
 6 > 18mm ± 0.30
 18 > 30mm ± 0.40
 30 > 75mm ± 0.50

CATEGORY	Male Fully Insulated Flat Quick Disconnects	SCALE	4/1
PART #	MDFNY2-250(A)	SHEET	1-0
MATERIAL	Tin-Plated Brass	PAGE	10F1



MIROMAR