

Notes:

- Maximum Electric Current:

AWG	16	14		
AMP	10	15		
- Maximum Electrical Rating: 105° 600 Volts Max.
- Insulation Material: Vinyl
- Insulation Color: Blue
- Terminal Material: Brass
- Wire Range: 16-14 AWG (1.5-2.5mm²)
- Terminal Surface Treatment: Tin Plated
- Nema Tab: 0.032" x 0.187" (0.8mm x 4.75mm)
- Double Crimp
- Terminal Thickness: 0.40mm

Standard (Metric)

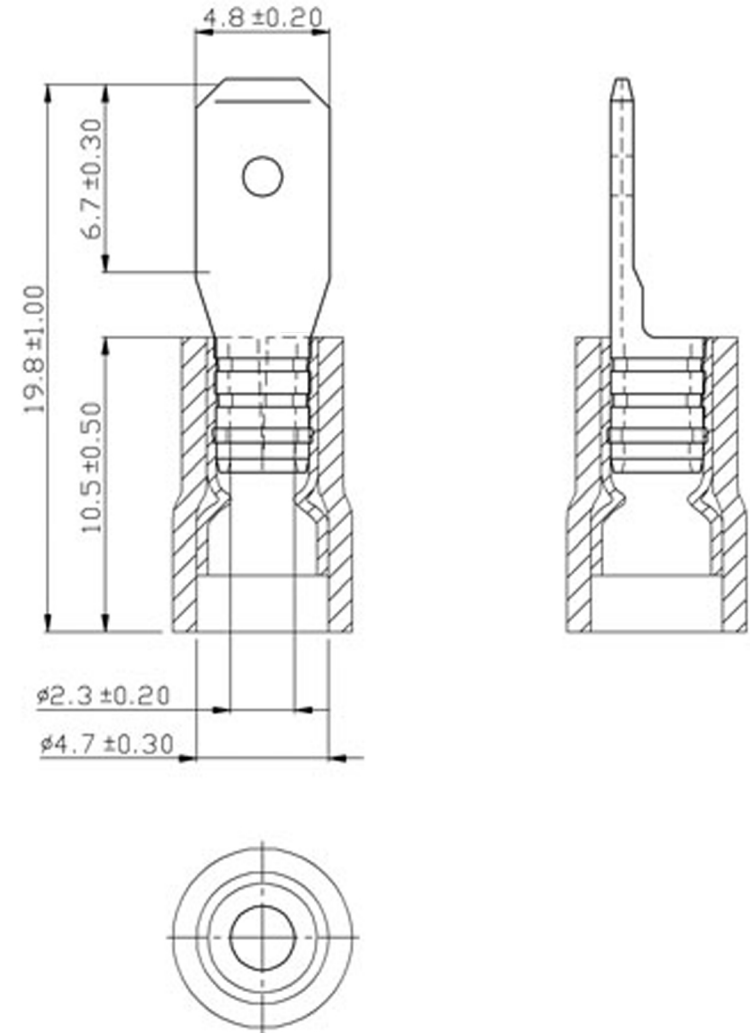
0.78" (19.8mm)
 0.41" (10.5mm)
 0.26" (6.7mm)
 0.19" (4.8mm)
 0.09" (2.3mm)
 0.19" (4.7mm)

Tolerances

(Unless Otherwise Specified)

0 > 6mm ± 0.20
 6 > 18mm ± 0.30
 18 > 30mm ± 0.40
 30 > 75mm ± 0.50

CATEGORY	Male Vinyl Insulated Double Crimp Disconnects	SCALE	4/1
PART #	MDD2-187(8)	SHEET	1-2
MATERIAL	Tin-Plated Brass	PAGE	10F2



MIROMAR