

## Notes:

- Maximum Electric Current: 

AWG	16	14		
AMP	10	15		
- Maximum Electrical Rating: 105° 600 Volts Max.
- Insulation Material: Vinyl
- Insulation Color: Blue
- Terminal Material: Brass
- Wire Range: 16-14 AWG (1.5-2.5mm<sup>2</sup>)
- Terminal Surface Treatment: Tin Plated
- Nema Tab: 0.020" x 0.187" (0.5mm x 4.75mm)
- Double Crimp
- Terminal Thickness: 0.50mm

### Standard (Metric)

0.77" (19.5mm)  
 0.41" (10.5mm)  
 0.26" (6.5mm)  
 0.19" (4.8mm)  
 0.09" (2.3mm)  
 0.19" (4.7mm)

### Tolerances

(Unless Otherwise Specified)

0 > 6mm ± 0.20  
 6 > 18mm ± 0.30  
 18 > 30mm ± 0.40  
 30 > 75mm ± 0.50

### CATEGORY

Male Vinyl Insulated  
 Double Crimp Disconnects

### SCALE

4/1

### PART #

MDD2-187(5)

### SHEET

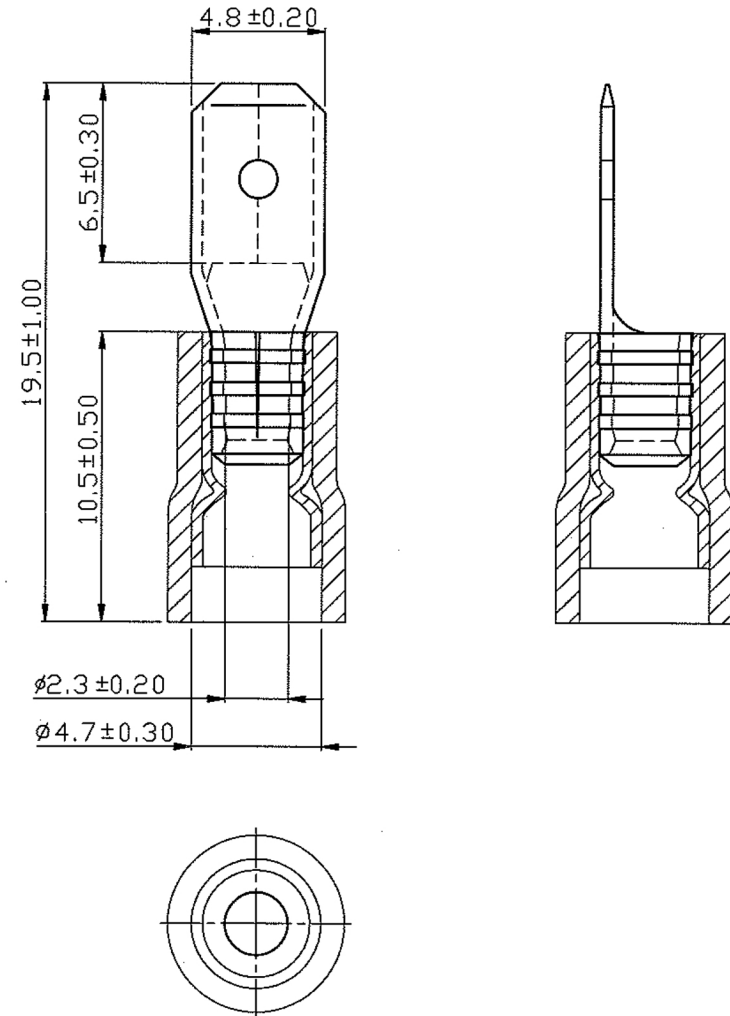
1-1

### MATERIAL

Tin-Plated Brass

### PAGE

10F2



# MIROMAR