

## Notes:

- Maximum Electric Current:
 

AWG	22	20	18	16
AMP	3	4	7	10
- Maximum Electrical Rating: 105° 600 Volts Max.
- Insulation Material: Vinyl
- Insulation Color: Red
- Terminal Material: Brass
- Wire Range: 22-16 AWG (0.5-1.5mm<sup>2</sup>)
- Terminal Surface Treatment: Tin Plated
- Nema Tab: 0.032" x 0.250" (0.8mm x 6.35mm)
- Double Crimp
- Terminal Thickness: 0.40mm

### Standard (Metric)

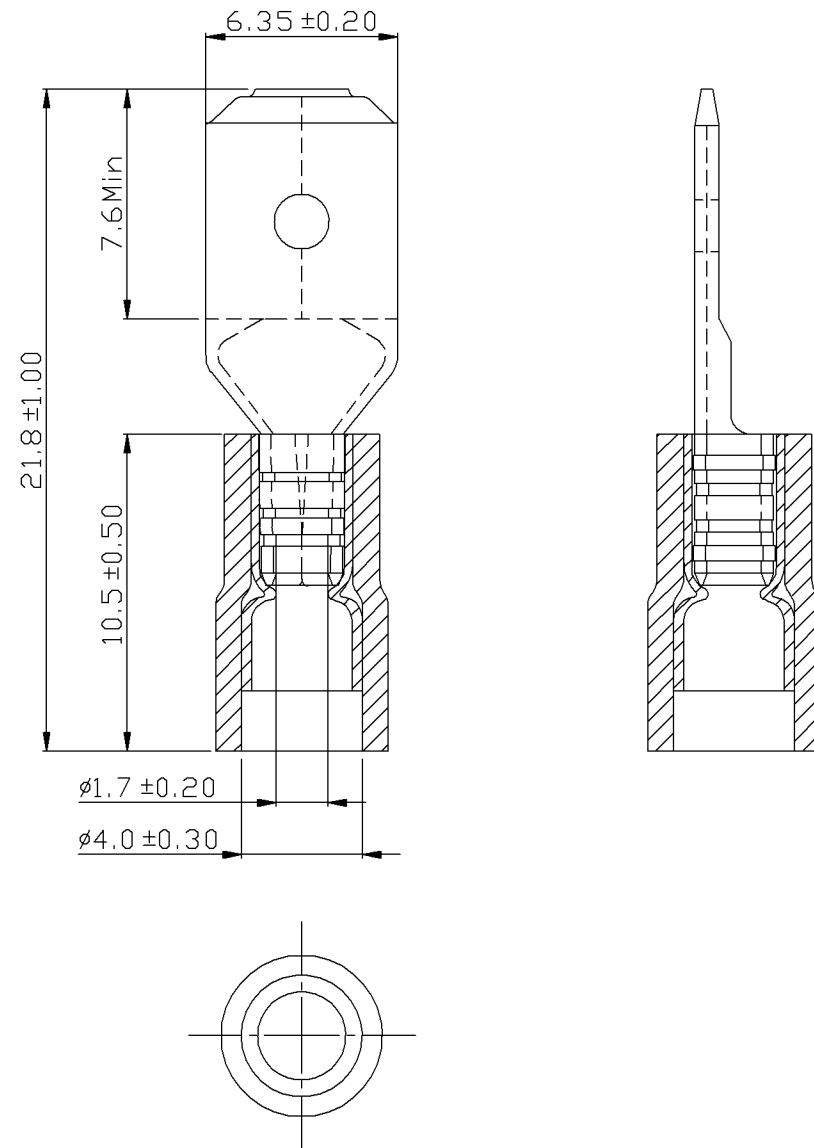
0.86" (21.8mm)  
 0.41" (10.5mm)  
 0.30" (7.6mm)  
 0.25" (6.35mm)  
 0.07" (1.7mm)  
 0.16" (4mm)

### Tolerances

(Unless Otherwise Specified)

0 > 6mm ± 0.20  
 6 > 18mm ± 0.30  
 18 > 30mm ± 0.40  
 30 > 75mm ± 0.50

<b>CATEGORY</b>	Male Vinyl Insulated Double Crimp Disconnects	<b>SCALE</b>	4/1
<b>PART #</b>	MDD1-250	<b>SHEET</b>	1-3
<b>MATERIAL</b>	Tin-Plated Brass	<b>PAGE</b>	10F2



# MIROMAR