

Notes:

1. Maximum Electric Current:

AWG	16	14		
AMP	18	30		
2. Maximum Electric Rating: 105°C 600 Volts Max
3. Insulation Material: Vinyl
4. Insulation Color: Blue
5. Terminal Material: Copper
6. Wire Range: 16-14 AWG (1.5-2.5mm²)
7. Terminal Surface Treatment: Tin Plated
8. Terminal Thickness: 0.80mm

Standard (Metric)

- 0.83" (21mm)
- 0.26" (6.5mm)
- 0.39" (10mm)
- 0.28" (7.2mm)
- 0.17" (4.3mm)
- 0.09" (2.3mm)
- 0.18" (4.5mm)

Tolerances

(Unless Otherwise Specified)

CATEGORY

Vinyl Insulated
Locking Spade Terminals

SCALE

4/1

PART

LSVB2-4

SHEET

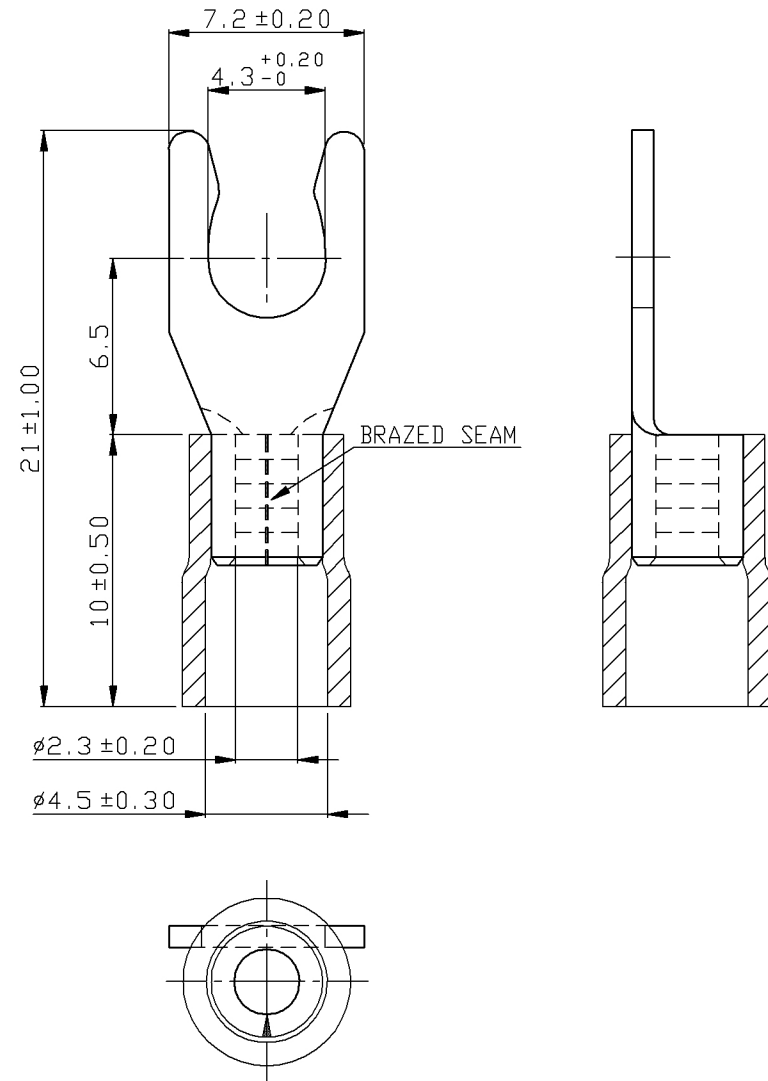
1-3

MATERIAL

Tin-Plated Copper

PAGE

10F2



MIROMAR