

### Notes:

- Maximum Electric Current: 

|     |    |    |  |
|-----|----|----|--|
| AWG | 16 | 14 |  |
| AMP | 18 | 30 |  |
- Maximum Electric Rating: 105°C 600 Volts Max
- Insulation Material: Nylon
- Insulation Color: Blue
- Terminal Material: Copper
- Wire Range: 16-14 AWG (1.5-2.5mm<sup>2</sup>)
- Terminal Surface Treatment: Tin Plated
- Terminal Thickness: 0.80mm

### Standard (Metric)

- 0.87" (22mm)
- 0.26" (6.5mm)
- 0.43" (11mm)
- 0.32" (8.1mm)
- 0.21" (5.3mm)
- 0.09" (2.3mm)
- 0.18" (4.5mm)

### Tolerances

(Unless Otherwise Specified)

#### CATEGORY

Nylon Insulated  
Locking Spade Terminals

#### SCALE

4/1

#### PART #

LSNYBS2-5

#### SHEET

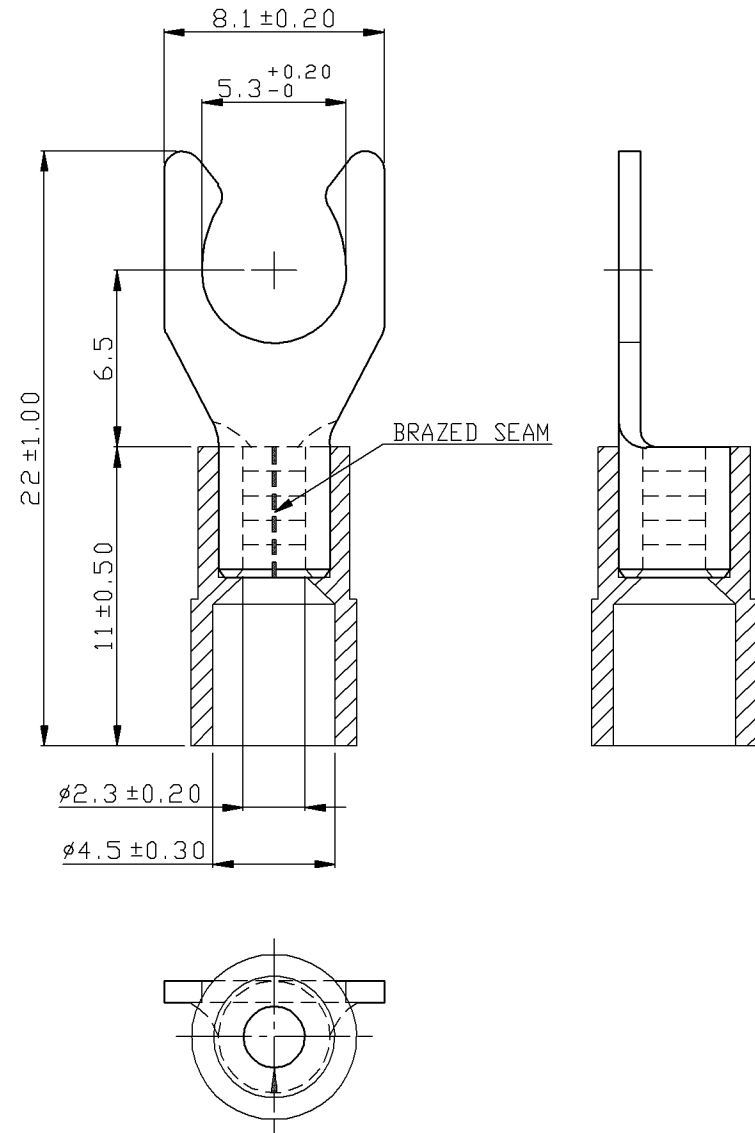
1-2

#### MATERIAL

Tin-Plated Copper

#### PAGE

10F2



# MIROMAR