

### Notes:

- Maximum Electric Current: 

AWG	12	10		
AMP	35	50		
- Maximum Electric Rating: 105°C 600 Volts Max
- Insulation Material: Nylon
- Insulation Color: Yellow
- Terminal Material: Copper
- Wire Range: 12-10 AWG (4-6mm<sup>2</sup>)
- Terminal Surface Treatment: Tin Plated
- Terminal Thickness: 1.00mm

### Standard (Metric)

0.99" (25.2mm)  
 0.28" (7mm)  
 0.51" (13mm)  
 0.35" (9mm)  
 0.21" (5.3mm)  
 0.13" (3.4mm)  
 0.25" (6.4mm)

### Tolerances

(Unless Otherwise Specified)

**CATEGORY**

Nylon Insulated  
 Locking Spade Terminals

**SCALE**

3/1

**PART #**

LSNYB5-5

**SHEET**

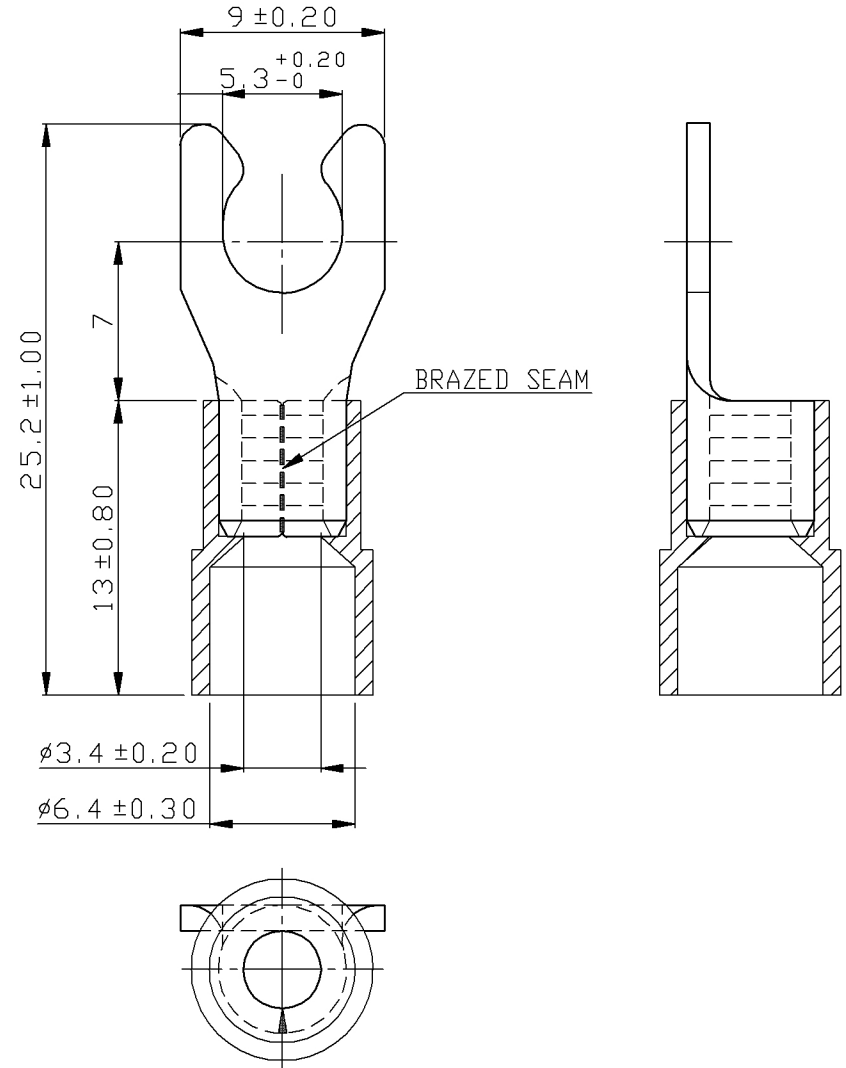
1-3

**MATERIAL**

Tin-Plated Copper

**PAGE**

10F2



**MIROMAR**