

Notes:

- Maximum Electric Current:

AWG	12	10	
AMP	35	50	
- Maximum Electric Rating: 105°C 600 Volts Max
- Insulation Material: Nylon
- Insulation Color: Yellow
- Terminal Material: Copper
- Wire Range: 12-10 AWG (4-6mm²)
- Terminal Surface Treatment: Tin Plated
- Terminal Thickness: 1.00mm

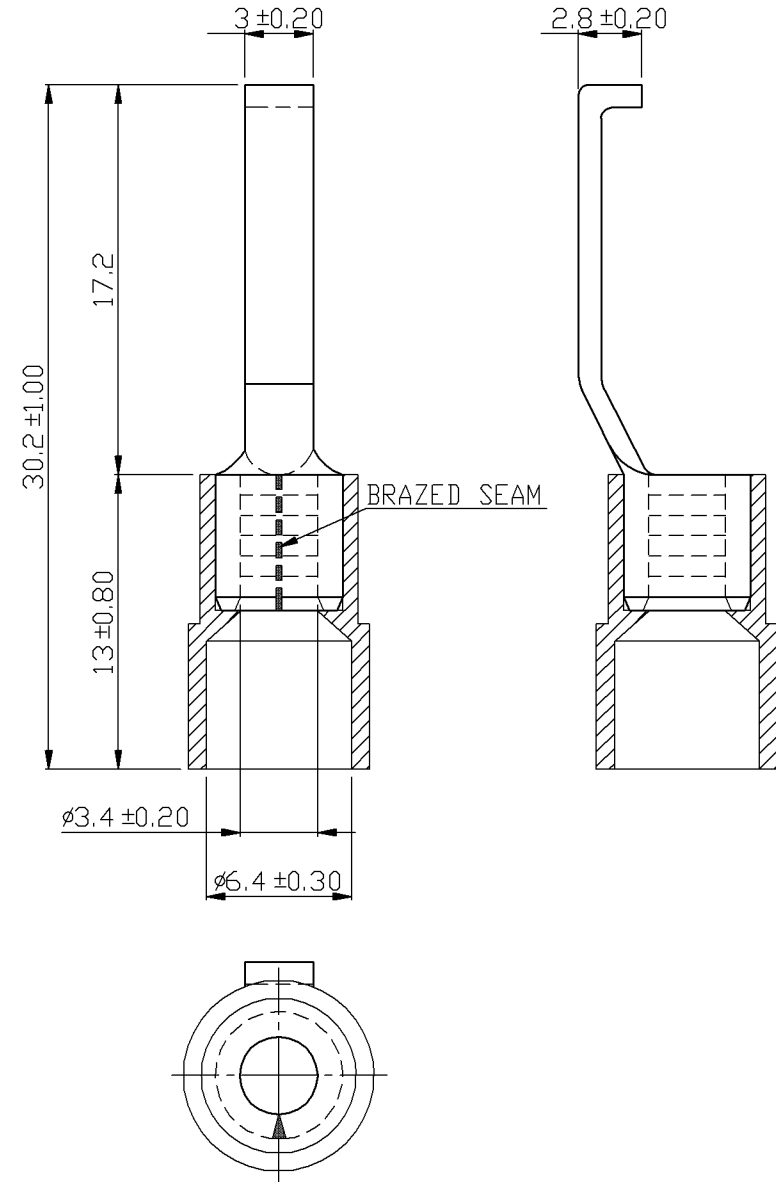
Standard (Metric)

- 1.19" (30.2mm)
- 0.68" (17.2mm)
- 0.51" (13mm)
- 0.12" (3mm)
- 0.13" (3.4mm)
- 0.25" (6.4mm)
- 0.11" (2.8mm)

Tolerances

(Unless Otherwise Specified)

CATEGORY	Nylon Insulated Lipped Blade Terminals	SCALE	3/1
PART #	LBNYB5-3	SHEET	1-3
MATERIAL	Tin-Plated Copper	PAGE	10F2



MIROMAR