

Notes:

- Maximum Electric Current:

| | | | |
|-----|----|----|--|
| AWG | 12 | 10 | |
| AMP | 35 | 50 | |
- Maximum Electric Rating: 105°C 600 Volts Max
- Insulation Material: Vinyl
- Insulation Color: Yellow
- Terminal Material: Copper
- Wire Range: 12-10 AWG (4-6mm²)
- Terminal Surface Treatment: Tin Plated
- Terminal Thickness: 1.00mm

Standard (Metric)

0.89" (22.7mm)
 0.24" (6.1mm)
 0.51" (13mm)
 0.28" (7.2mm)
 0.15" (3.7mm)
 0.13" (3.4mm)
 0.25" (6.4mm)

Tolerances

(Unless Otherwise Specified)

CATEGORY

Vinyl Insulated
Hook Terminals

SCALE

4/1

PART #

HVB5-37

SHEET

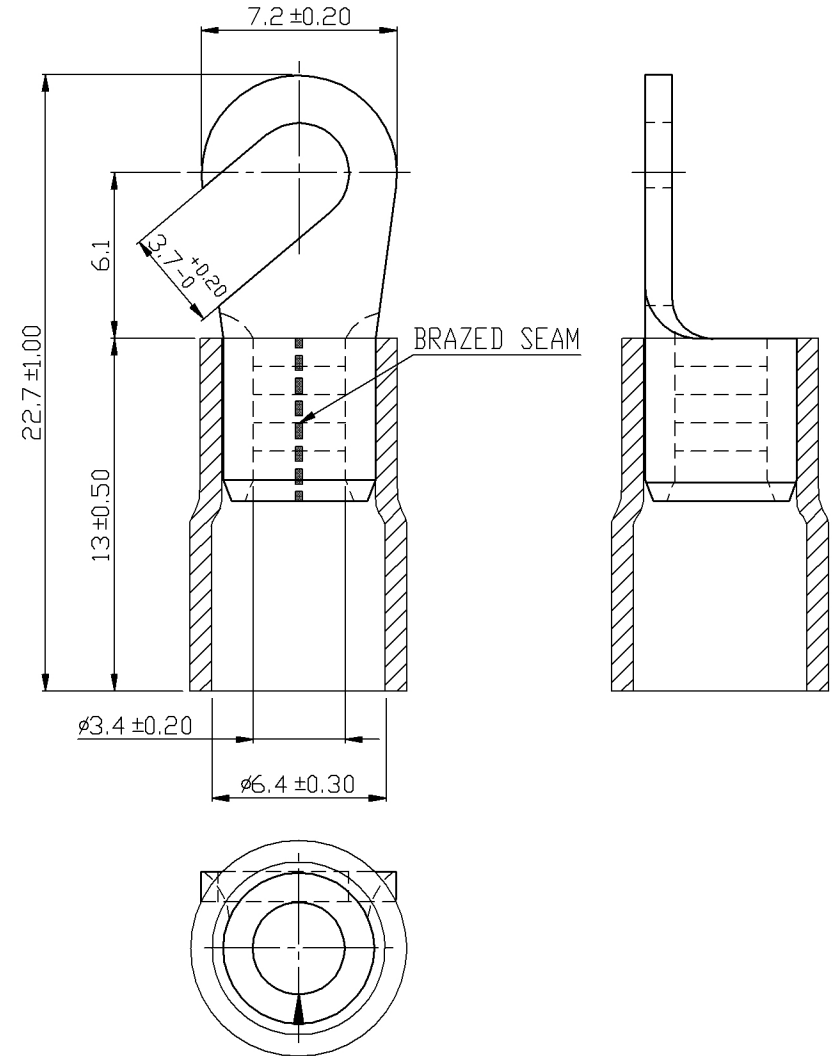
1-3

MATERIAL

Tin-Plated Copper

PAGE

10F2



MIROMAR