

## Notes:

- Maximum Electrical Current: 

AWG	16	14		
AMP	18	30		
- Maximum Electrical Rating: 105° 600 Volts
- Terminal Material: Copper
- Wire Range: 16-14 AWG (1.5-2.5mm<sup>2</sup>)
- Terminal Surface Treatment: Tin Plated
- Terminal Thickness: 0.80mm
- #8 Stud Size

### Standard (Metric)

0.66" (16.8mm)  
 0.19" (4.8mm)  
 0.29" (7.4mm)  
 0.33" (8.5mm)  
 0.09" (2.3mm)  
 0.16" (4.1mm)  
 0.17" (4.3mm)

### Tolerances

(Unless Otherwise Specified)

**CATEGORY**

Non Insulated  
Hook Terminals

**SCALE**

5/1

**PART #**

HNB2-4

**SHEET**

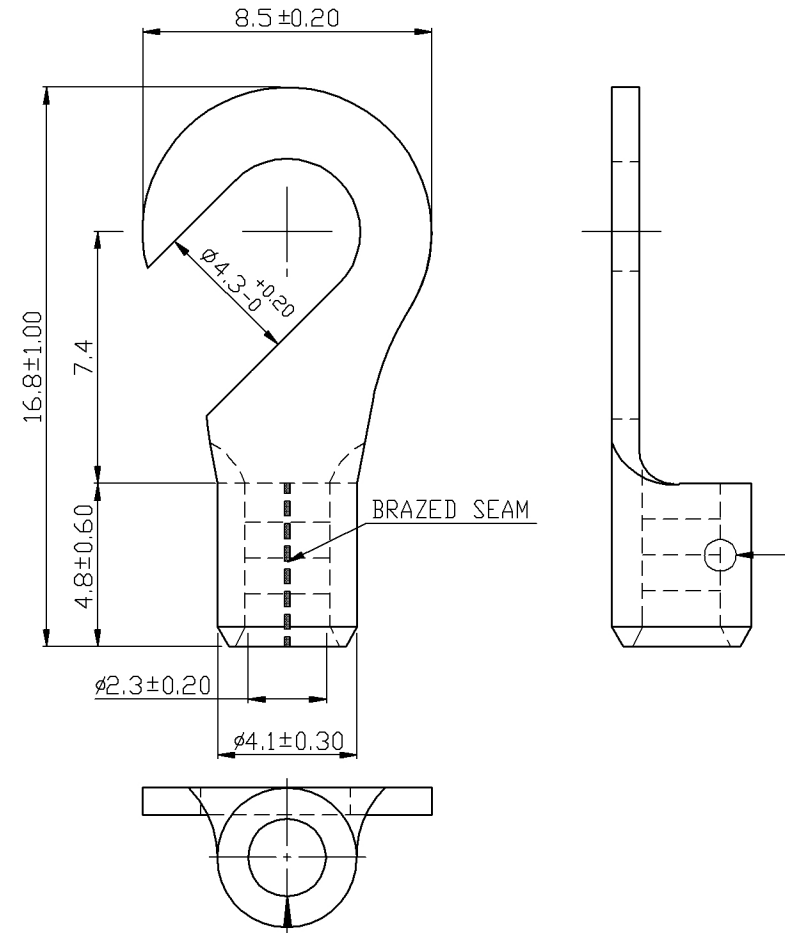
1-4

**MATERIAL**

Tin Plated Copper

**PAGE**

10F2



**MIROMAR**