

## Notes:

- Maximum Electric Current: 

AWG	16	14	
AMP	18	30	
- Maximum Electric Rating: 105°C 600 Volts Max
- Insulation Material: Nylon
- Insulation Color: Blue
- Terminal Material: Copper
- Wire Range: 16-14 AWG (1.5-2.5mm<sup>2</sup>)
- Terminal Surface Treatment: Tin Plated
- Terminal Thickness: 0.80mm

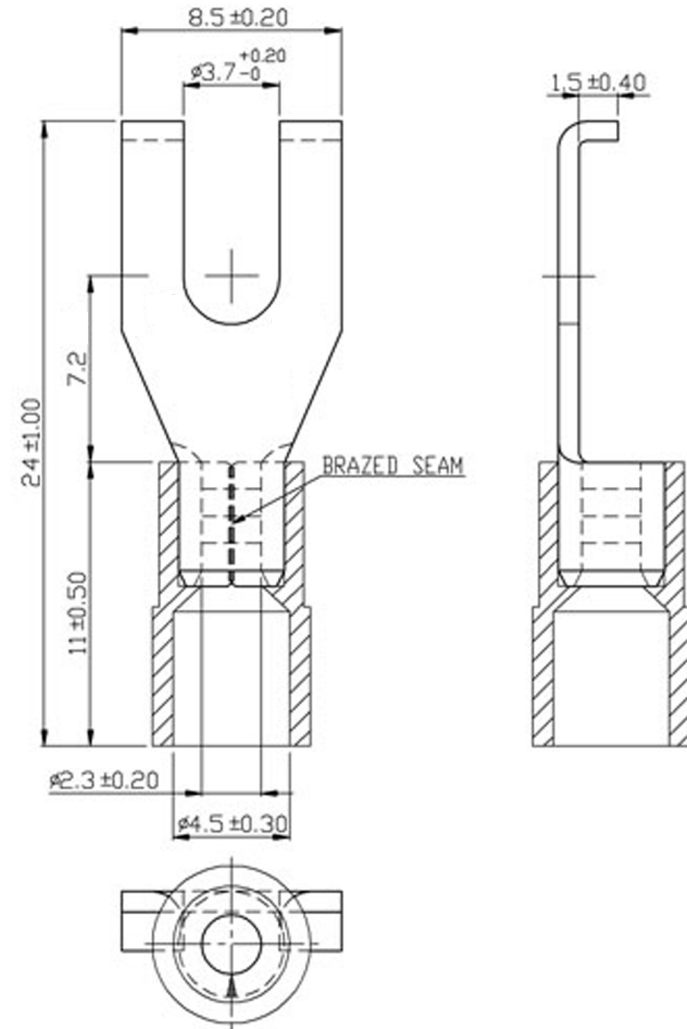
### Standard (Metric)

0.94" (24mm)  
 0.28" (7.2mm)  
 0.43" (11mm)  
 0.33" (8.5mm)  
 0.15" (3.7mm)  
 0.09" (2.3mm)  
 0.18" (4.5mm)  
 0.06" (1.5mm)

### Tolerances

(Unless Otherwise Specified)

<b>CATEGORY</b>	Nylon Insulated Flange Spade Terminals	<b>SCALE</b>	4/1
<b>PART #</b>	FSNYBL2-37	<b>SHEET</b>	1-2
<b>MATERIAL</b>	Tin-Plated Copper	<b>PAGE</b>	10F2



# MIROMAR