

Notes:

- Maximum Electric Current:

AWG	16	14	
AMP	18	30	
- Maximum Electric Rating: 75°C 2000 Volts Max
- Terminal Material: Copper
- Wire Range: 16-14 AWG (1.5-2.5mm²)
- Terminal Surface Treatment: Tin Plated
- Terminal Thickness: 0.80mm

Standard (Metric)

0.71" (18mm)
 0.28" (7.2mm)
 0.19" (4.8mm)
 0.33" (8.5mm)
 0.21" (5.3mm)
 0.09" (2.3mm)
 0.16" (4.1mm)
 0.06" (1.5mm)

Tolerances

(Unless Otherwise Specified)

CATEGORY

Non Insulated
Flange Spade Terminals

SCALE

4/1

PART

FSNBL2-5

SHEET

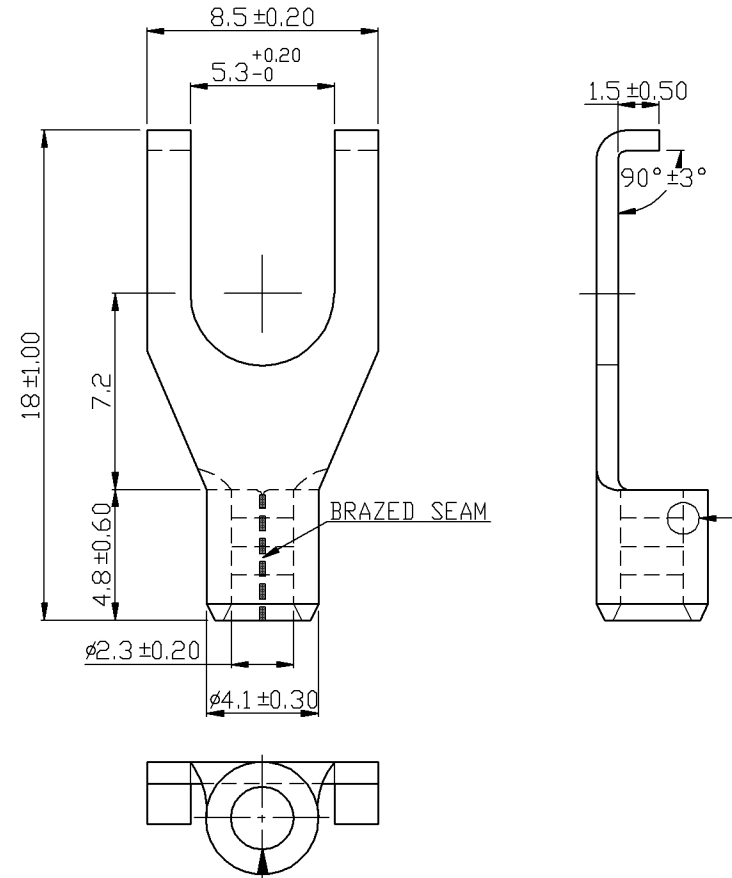
1-3

MATERIAL

Tin-Plated Copper

PAGE

10F2



MIROMAR