

Notes:

1. Maximum Electrical Current:

AWG	22	20	18	16
AMP	9	12	17	18
2. Terminal Material: Brass
3. Wire Range: 22-16 AWG (0.5-1.5mm²)
4. Thickness: 0.30mm

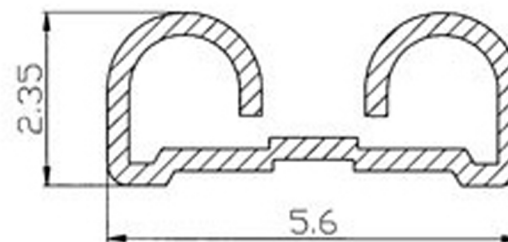
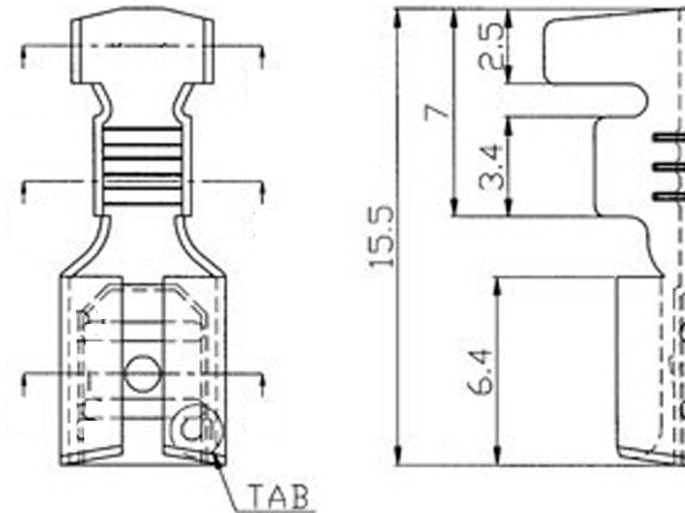
Standard (Metric)

- 0.61" (15.5mm)
- 0.25" (6.4mm)
- 0.13" (3.4mm)
- 0.10" (2.5mm)
- 0.09" (2.35mm)
- 0.22" (5.6mm)

Tolerances

(Unless Otherwise Specified)

- 0 > 10mm ± 0.40
- 10 > 20mm ± 0.80



CATEGORY	Open Barrel Female Disconnect	SCALE	4/1
PART #	FM187-01B95	SHEET	1-5
MATERIAL	Brass	PAGE	20F2

