

Notes:

- Maximum Electric Current:

AWG	16	14	
AMP	10	13	
- Maximum Electric Rating: 75°C 300 Volts Max
- Insulation Material: Vinyl
- Insulation Color: Blue
- Terminal Material: Brass
- Wire Range: 16-14 AWG (1.5-2.5mm²)
- Terminal Surface Treatment: Tin Plated
- Terminal Thickness: 0.35mm
- Nema Tab: 0.032" x 0.205" (0.8mm x 5.20mm)

Standard (Metric)

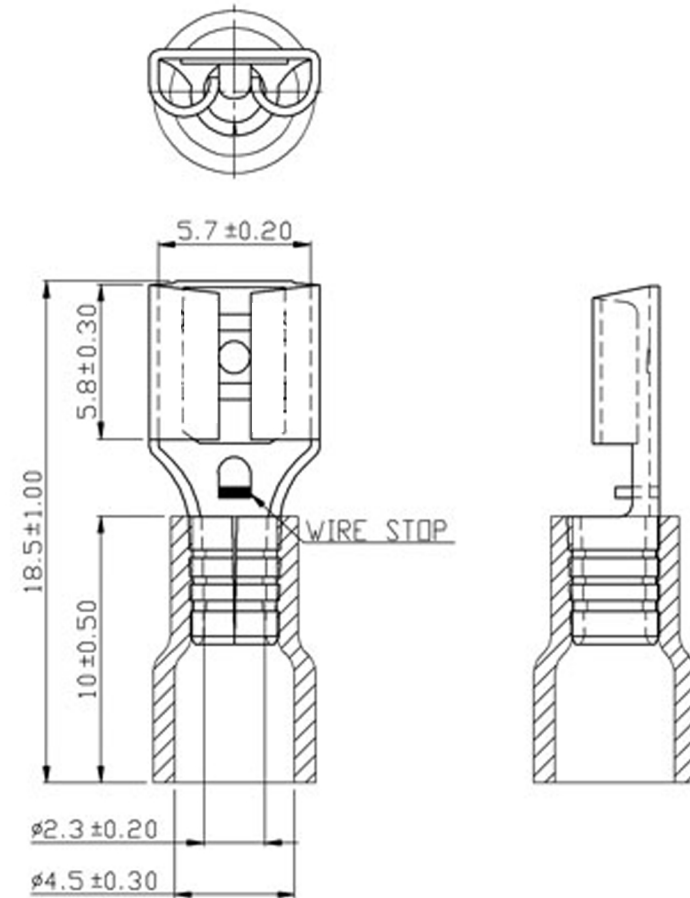
0.73" (18.5mm)
 0.39" (10mm)
 0.23" (5.8mm)
 0.22" (5.7mm)
 0.09" (2.3mm)
 0.18" (4.5mm)

Tolerances

(Unless Otherwise Specified)

0 > 6mm ± 0.20
 6 > 18mm ± 0.30
 18 > 30mm ± 0.40
 30 > 75mm ± 0.50

CATEGORY	Vinyl Insulated Female Quick Disconnects	SCALE	4/1
PART #	FDV2-205(8)	SHEET	1-1
MATERIAL	Tin-Plated Brass	PAGE	10F2



MIROMAR