

Notes:

- Maximum Electric Current:

AWG	22	20	18	16
AMP	3	4	7	10
- Maximum Electrical Rating: 105° 600 Volts Max.
- Insulation Material: Vinyl
- Insulation Color: Red
- Terminal Material: Brass
- Wire Range: 22-16 AWG (0.5-1.5mm²)
- Terminal Surface Treatment: Tin Plated
- Nema Tab: 0.020" x 0.110" (0.5mm x 2.80mm)
- Double Crimp
- Terminal Thickness: 0.30mm

Standard (Metric)

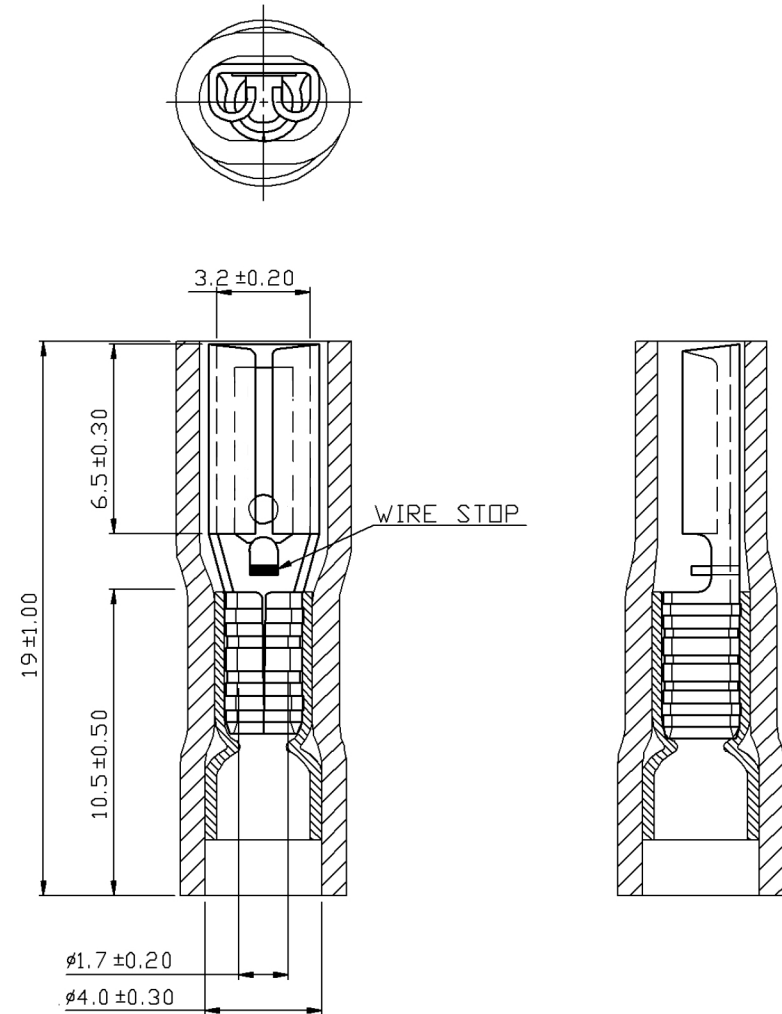
0.75" (19mm)
 0.41" (10.5mm)
 0.26" (6.5mm)
 0.13" (3.2mm)
 0.07" (1.7mm)
 0.16" (4mm)

Tolerances

(Unless Otherwise Specified)

0 > 6mm ± 0.20
 6 > 18mm ± 0.30
 18 > 30mm ± 0.40
 30 > 75mm ± 0.50

CATEGORY	Female Vinyl Insulated Double Crimp Disconnects	SCALE	4/1
PART #	FDFD1-110(5)	SHEET	1-2
MATERIAL	Tin-Plated Brass	PAGE	10F2



MIROMAR