

### Notes:

1. Maximum Electric Current:

AWG	16	14	
AMP	18	30	

2. Maximum Electric Rating: 105°C 600 Volts Max

3. Insulation Material: Vinyl

4. Insulation Color: Blue

5. Terminal Material: Copper

6. Wire Range: 16-14 AWG (1.5-2.5mm<sup>2</sup>)

7. Thermal Thickness: 0.80mm

8. Terminal Surface Treatment: Tin Plated

### Standard (Metric)

- 0.96" (24.3mm)
- 0.45" (11.5mm)
- 0.12" (3mm)
- 0.09" (2.3mm)
- 0.18" (4.5mm)

### Tolerances

(Unless Otherwise Specified)

**CATEGORY**

Easy Entry Insulated  
Flat Blade Terminal

**SCALE**

3/1

**PART #**

DBVEL2-13

**SHEET**

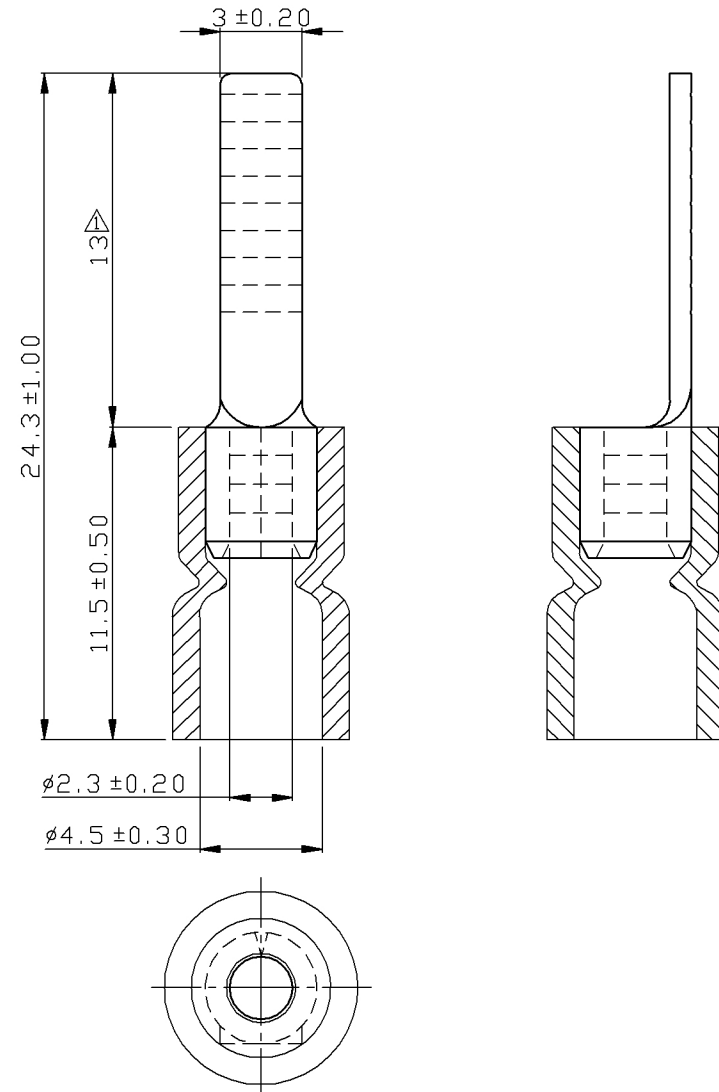
1-2

**MATERIAL**

Tin-Plated Copper

**PAGE**

10F2



**MIROMAR**