

Notes:

1. Maximum Electric Current:

AWG	16	14	
AMP	18	30	

2. Maximum Electric Rating: 105°C 600 Volts Max

3. Insulation Material: Vinyl

4. Insulation Color: Blue

5. Terminal Material: Copper

6. Wire Range: 16-14 AWG (1.5-2.5mm²)

7. Thermal Thickness: 0.80mm

8. Terminal Surface Treatment: Tin Plated

Standard (Metric)

- 0.94" (24mm)
- 0.39" (10mm)
- 0.09" (2.4mm)
- 0.09" (2.3mm)
- 0.18" (4.5mm)

Tolerances

(Unless Otherwise Specified)

CATEGORY

Insulated
Flat Blade Terminal

SCALE

4/1

PART #

DBV2-14

SHEET

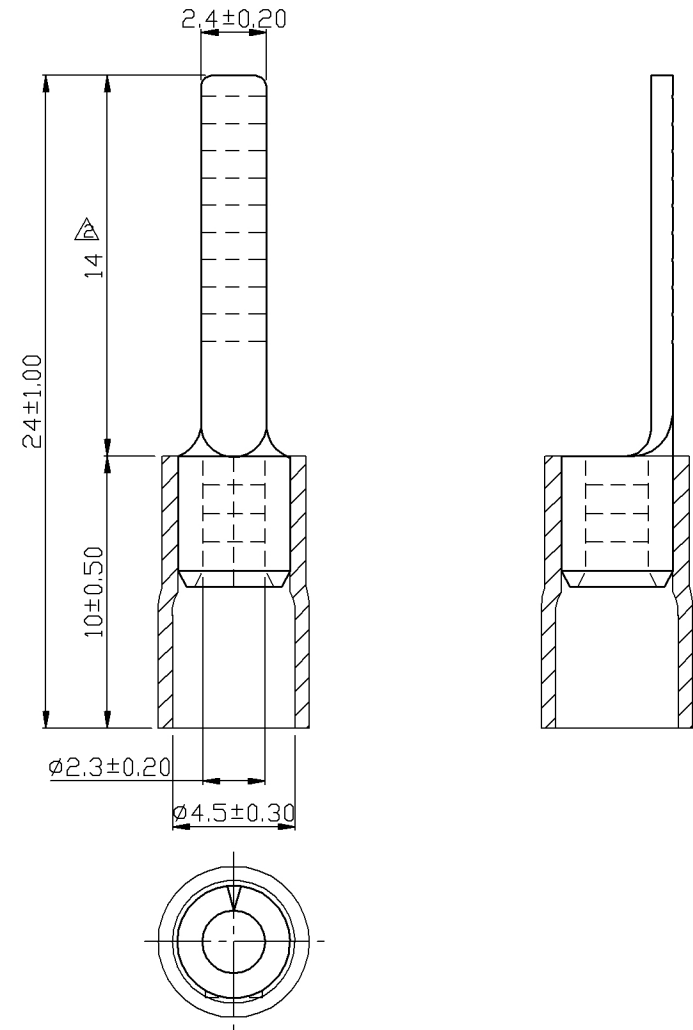
1-3

MATERIAL

Tin-Plated Copper

PAGE

10F2



MIROMAR