

Notes:

- Maximum Electric Current:

AWG	16	14	
AMP	18	30	
- Maximum Electric Rating: 105°C 600 Volts Max
- Insulation Material: Nylon
- Insulation Color: Blue
- Terminal Material: Copper
- Wire Range: 16-14 AWG (1.5-2.5mm²)
- Terminal Surface Treatment: Tin Plated
- Terminal Thickness: 0.80mm

Standard (Metric)

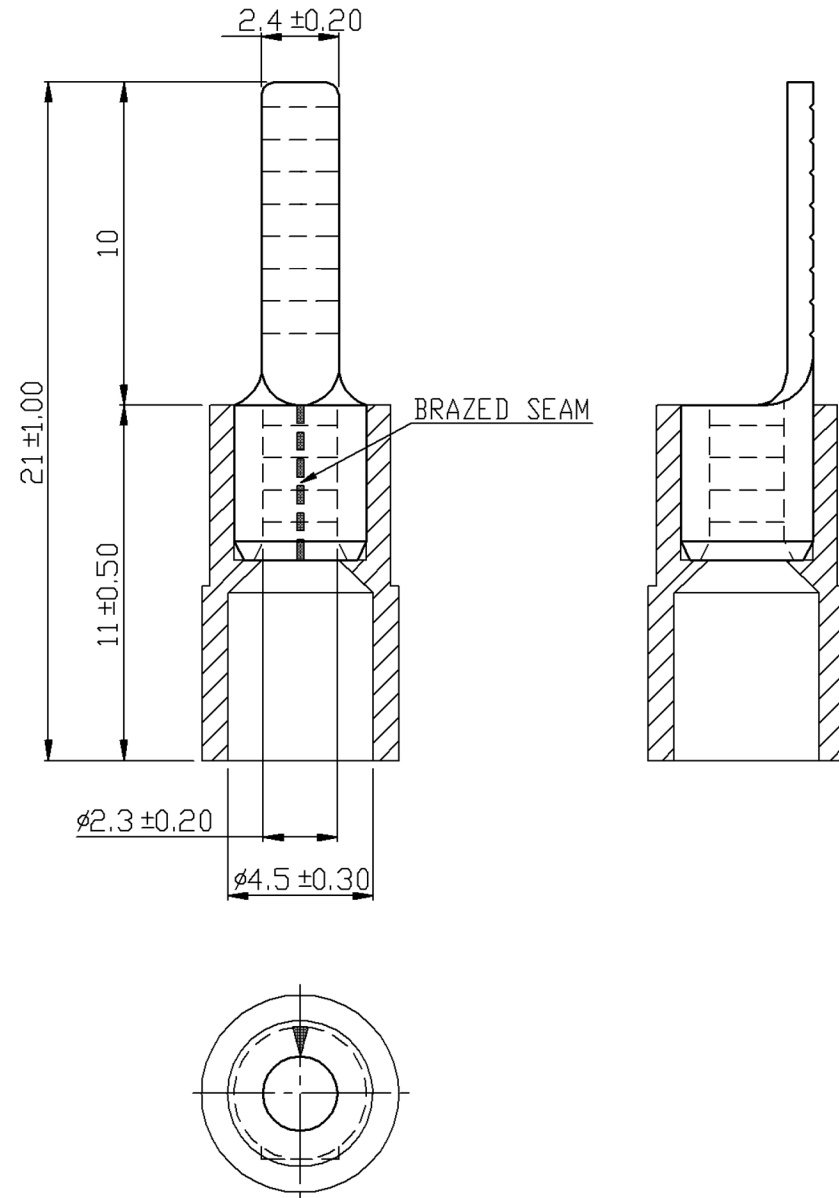
0.83" (21mm)
 0.43" (11mm)
 0.39" (10mm)
 0.09" (2.4mm)
 0.09" (2.3mm)
 0.18" (4.5mm)

Tolerances

(Unless Otherwise Specified)

0 > 6mm ± 0.20
 6 > 18mm ± 0.30
 18 > 30mm ± 0.40
 30 > 75mm ± 0.50

CATEGORY	Nylon Insulated Blade Terminals	SCALE	4/1
PART #	DBNYB2-10	SHEET	1-2
MATERIAL	Tin-Plated Copper	PAGE	10F2



MIROMAR