

Notes:

- Maximum Electrical Current:

AWG	22	20	18	16
AMP	3	4	7	10
- Maximum Electrical Rating: 75° 300 Volts Max.
- Insulation Material: Vinyl
- Insulation Color: Red
- Terminal Material: Copper
- Wire Range: 22-16 AWG (0.5-1.5mm²)
- Terminal Surface Treatment: Tin Plated

Standard (Metric)

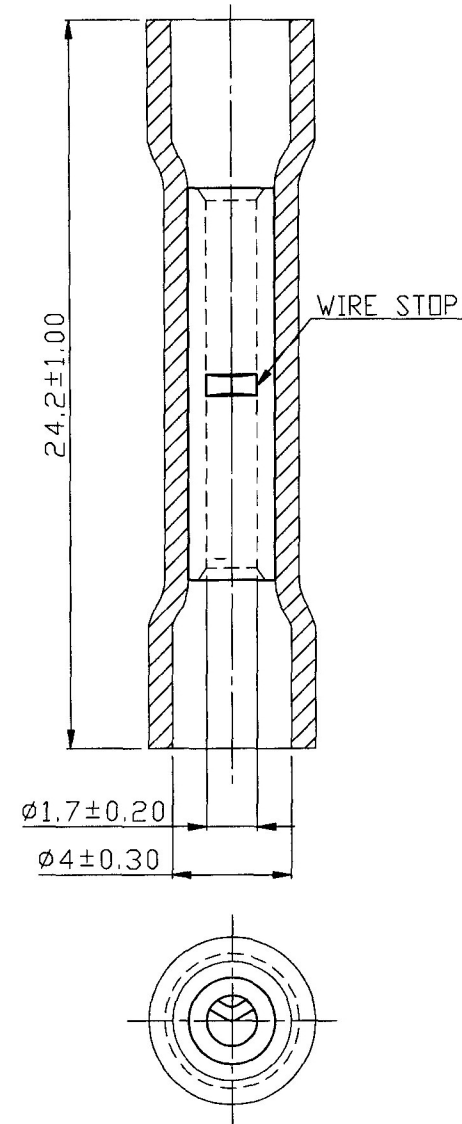
0.95" (24.2mm)
0.07" (1.7mm)
0.16" (4mm)

Tolerances

(Unless Otherwise Specified)

0 > 6mm ± 0.20
6 > 18mm ± 0.30
18 > 30mm ± 0.40
30 > 75mm ± 0.50

CATEGORY	Vinyl Insulated Flared Butt Splice Connector	SCALE	4/1
PART #	BVS1	SHEET	1-0
MATERIAL	Tin Plated Copper	PAGE	10F2



MIROMAR