

Notes:

- Maximum Electrical Current:

AWG	12	10	
AMP	35	50	
- Maximum Electrical Rating: 105° 600 Volts Max.
- Insulation Material: Nylon
- Insulation Color: Yellow
- Terminal Material: Copper
- Wire Range: 12-10 AWG (4-6mm²)
- Terminal Surface Treatment: Tin Plated

Standard (Metric)

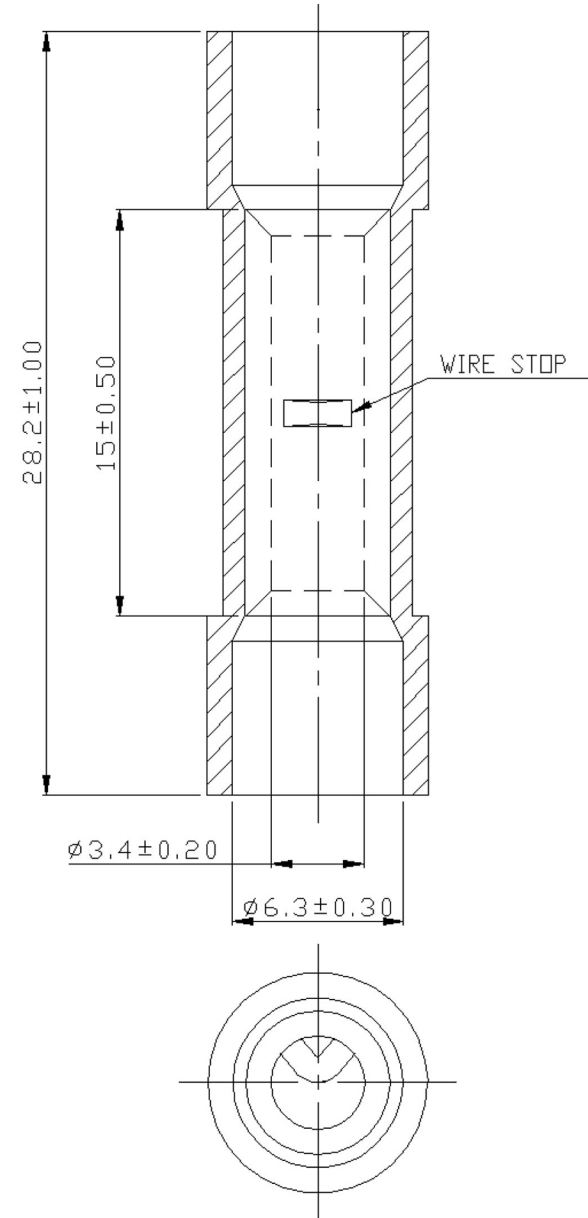
1.11" (28.2mm)
 0.59" (15mm)
 0.13" (3.4mm)
 0.25" (6.3mm)

Tolerances

(Unless Otherwise Specified)

0 > 6mm ± 0.20
 6 > 18mm ± 0.30
 18 > 30mm ± 0.40
 30 > 75mm ± 0.50

CATEGORY	Nylon Insulated Flared Butt Splice Connector	SCALE	4/1
PART #	BNYF5	SHEET	1-0
MATERIAL	Tin Plated Copper	PAGE	10F2



MIROMAR